



**CAN INDUSTRIAL**

**SHELTER  
ASSEMBLY MANUAL**

**Model # 203012R (Oval Tube)**

**Size: W6.1m x H3.66m x L9.15m**



## **SPECIFICATION**

W20'x L30' x H12'

Door dimension: W4.5m x H3.2m

## **IMPORTANT-----READ MANUAL FIRST**

Improper site preparation, Assembly and Maintenance may invalidate warranty and cause unnecessary and costly mistake. If you have any questions contact your local dealer.

For User Friendly assembly we have identified each individual component with the part code as indicated in the parts list. Please refer to the part code numbers and drawing to ensure problem free assembly.

It's necessary to tighten the roof fabric enough to avoid "hammocks" on the roof and also re-tighten once or twice again after a few months of use. This is important when assembly in cold weather (autumn and winter) because the fabric is stiff then and when we got the sun and warm weather afterwards it will make the fabric "slack" again and need to be re-tighten before next winter.

It's the owners responsibility to take of snow immediately if not slide off by itself.

## **READ ALL INSTRUCTIONS BEFORE ASSEMBLY**

1. Keep work area clean. Cluttered areas invite injuries. Do not set up near snow drifts, in slippery places, in high winds, or wet location.
2. Keep children away. All children should be kept away from the work area.
3. Don't over reach. Keep proper footing and balance at all times.
4. Do not assemble in under the influence of alcohol or drugs. Read warning labels on prescriptions to determine if your judgment or reflexes are impaired while taking drugs. If there is any doubt, do not assemble.
5. Be aware of possible windy conditions; fasten the bases in concrete if these conditions are likely to occur. Remove the cover during hurricane.
6. Be careful with power and heat sources. Do not keep heat sources near the tarpaulin. Do not expose to open flame.
7. Be aware of personal safety during assembly and use. Be careful not to pinch fingers with clips and tubes when assembling: when using makes sure there is adequate ventilation for exhaust and other dangerous fumes.

## Part List

Part Code	Description	Quantity
1	Roof Bent Tube	6
2	Middle Bent Tube	12
3	Lower Bent Tube	12
4	Roof & Sidewall Purlin	25
5	Lower Tension Tube	2 groups
6	Diagonal Bracing Tube	4
7	Base Plate for corners	4
8	Base Plate for Inner sidewall	8
8A	Ratchet	12
9	Clip for No.6	8
10	Stake Peg	36
11	Roof Cover	1
12	Front & Back Cover	1 each
13	Bolts M8*50mm	72
14	Bolts M8*90mm	30
16	Knitting Rope for Cover	1 bundle
17	Nylon Band for No.8A	12
18	Plastic Plug	4
19	Tension Ball for end cover	62

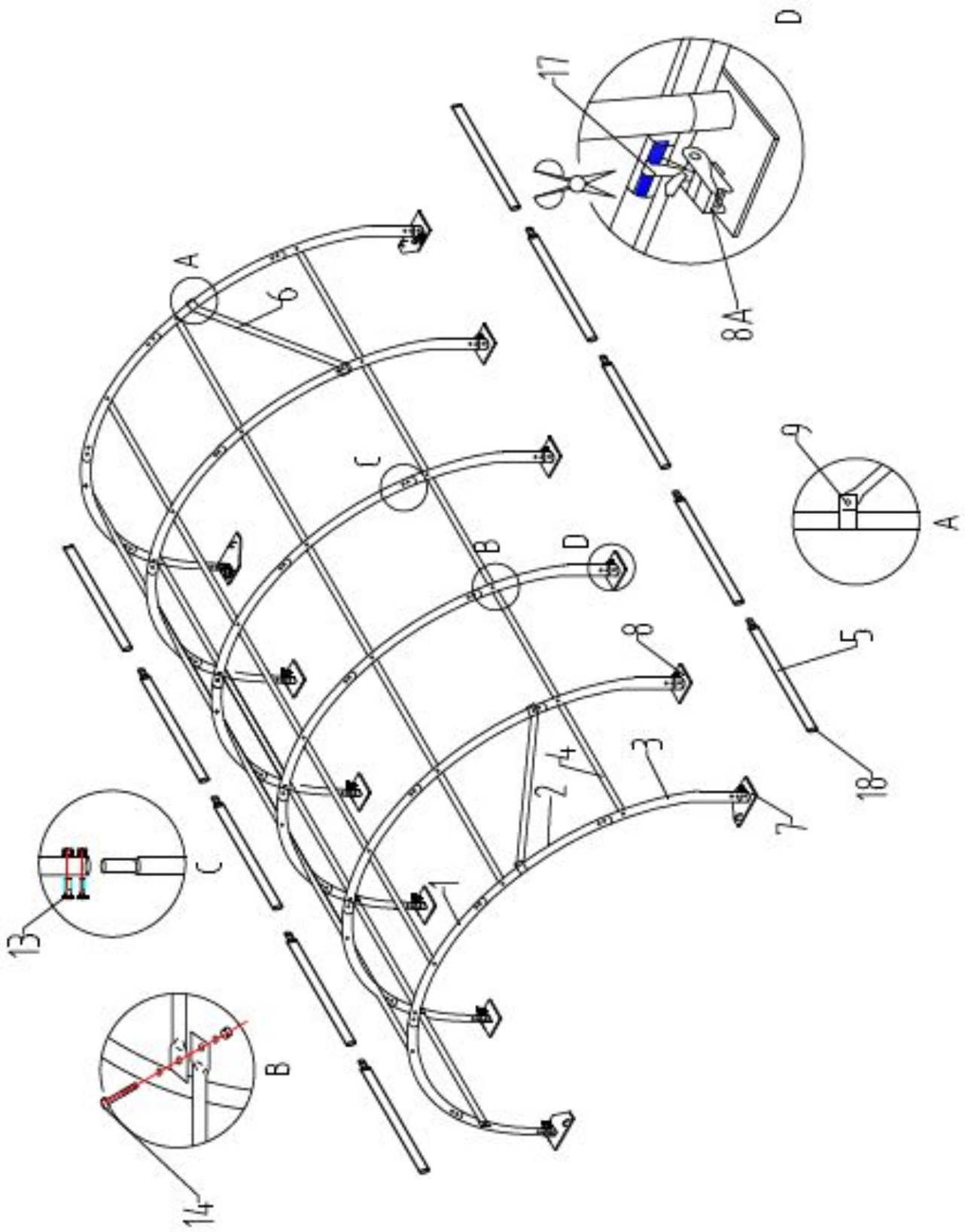


Figure 1

## ● EQUIPEMNT AND TOOLS FOR INSTALIAATION

1. Measuring Tape
2. String for Alignment
3. Stakes
4. Step Ladder
5. Sledge Hammer
6. Drill
7. Wrench

## INSTALLATION PROCESS

### A—BASE INSTALLATION

Please refer to the diagram (Figure 2) to place the base plates.

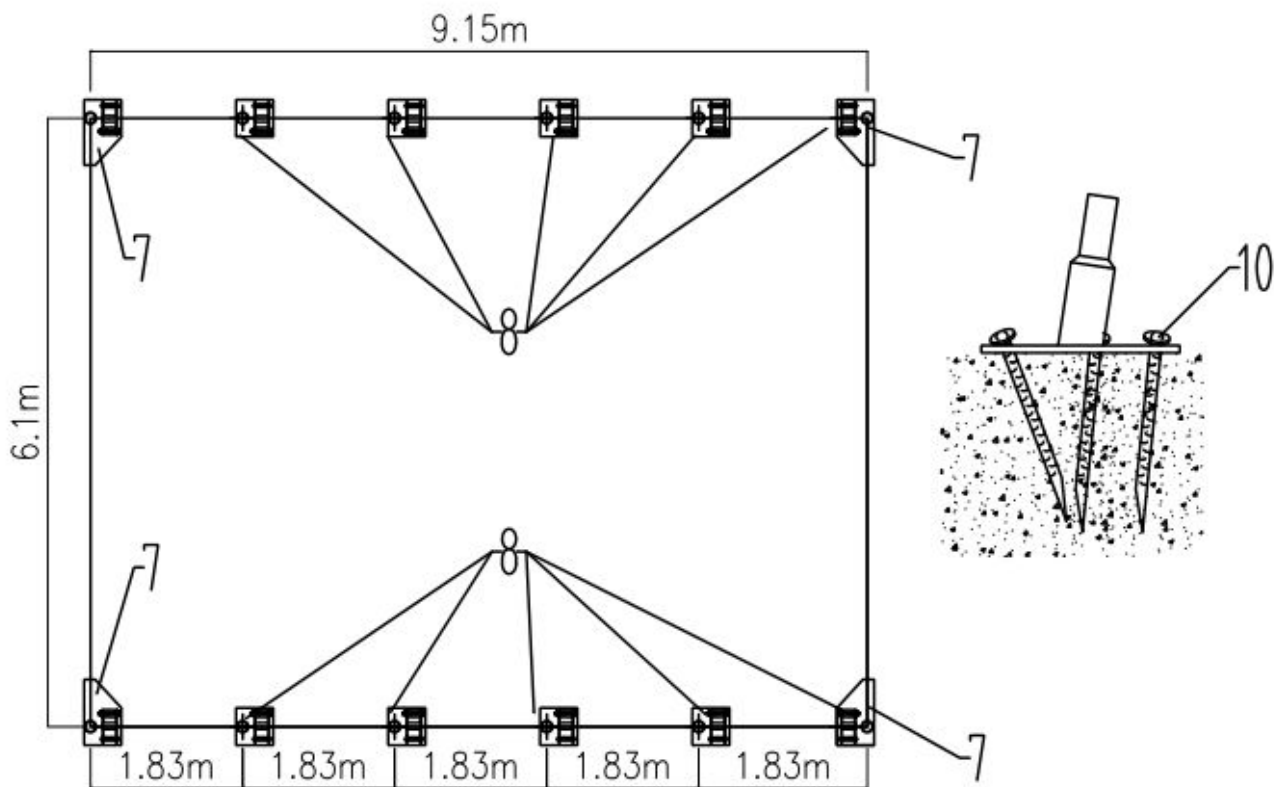


Figure 2

The measure is from center to center of the tubes. Referring to the above diagram and confirm the place of the base plates. ENSURE THAT THE FOUNDATIONS IS SQUARE.

- There are three holes on the Base Plates for corners (No.7) and Base Plate for inner sidewall (No.8), for Stake Peg (No.10). THUS ALL BASE PLATES ARE SECURED.

## Foundation Placement

As Figure 1 show each Base Plate is equipped with 3pieces of Stake Peg (No.10).

Note: The Stake Pegs apply for normal conditions, not suitable to the rock ground, frozen soil and concrete ground.

## B-FRAME INSTALLATION

1. As Figure 3 shown to find one Roof Bent Tube (No.1), two Middle Bent Tubes (No. 2), Lower Bent Tube (No. 3) and assemble every group arch with Screw M8x60 (No.13). DO NOT install the screw on the top of the truss where the fabric will rest.

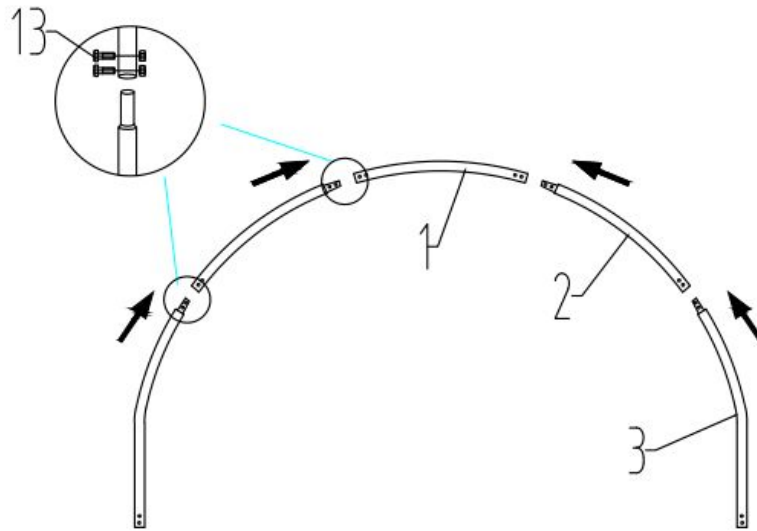


Figure 3

### **IMPORTANT:THE ARCHES WILL BE WIDER THAN THE BASE PLATES.**

- 1.As Step 1 shown to find one Roof Bent Tube (No.1), two Middle Bent Tubes for doors (No.2),Lower Bent Joist (No .3),and assemble every group arch with Screw M8x50mm (No.13). DO NOT install the screw on the top of the truss where the fabric will rest.

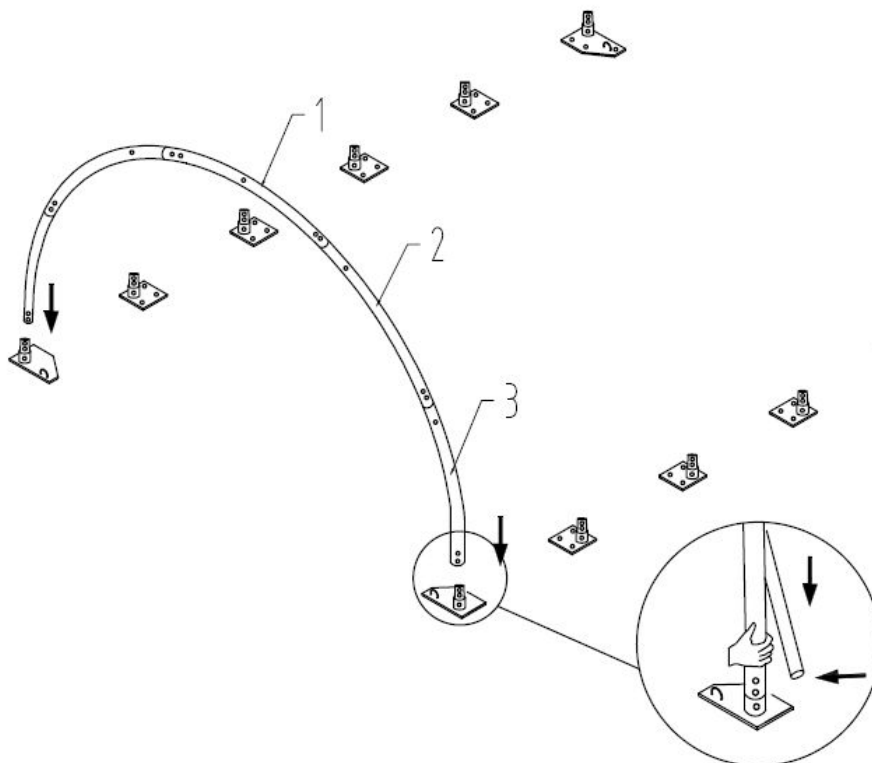


Figure 4

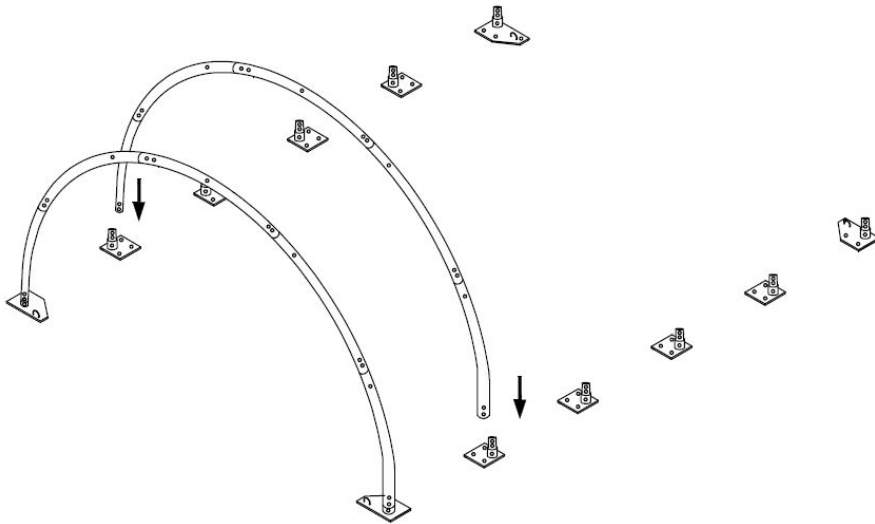


Figure 5

2.As Step 2 shown ,lift an assembled arch onto one base plate and force the other end of the arch onto the opposite base plate.

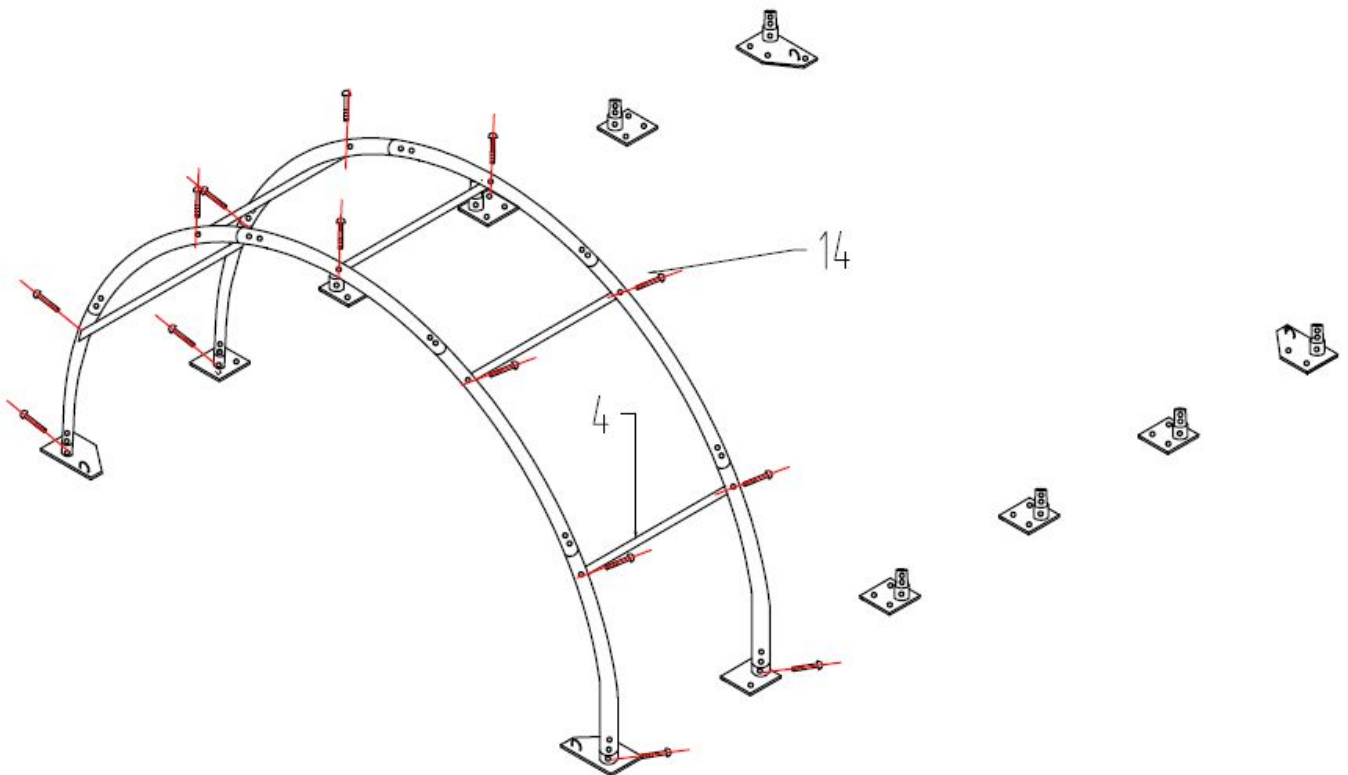


Figure 6

3.When finish installing the first two arches into the base plates, use Purlins (No.4) to connect them by Screw M8x90mm (No.14).Then install the third arch into the third arch into the plate and connect the Purlins. In this turn, fix all other arches and other purlins.Then come to install the front panel and back panel. Find the relative components and assemble them.

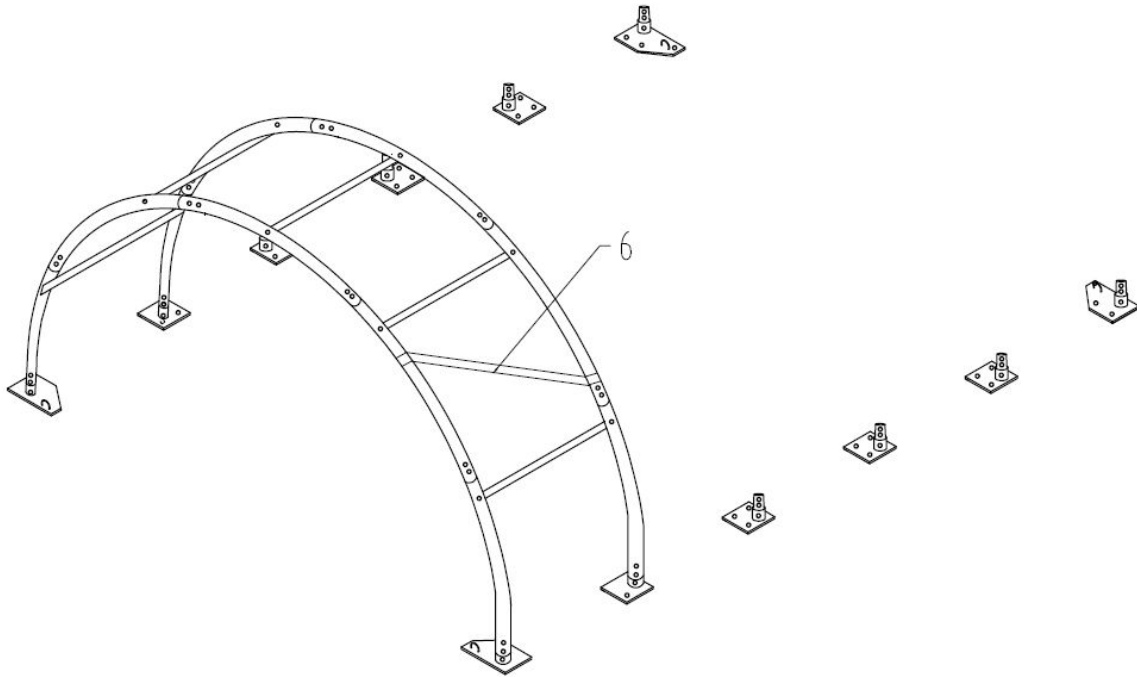


Figure 7

4. Connect the Support Tube (No.6) between the Sidewall tubes and adjust the length.

## C-INSTALLING THE FRONT AND BACK COVER

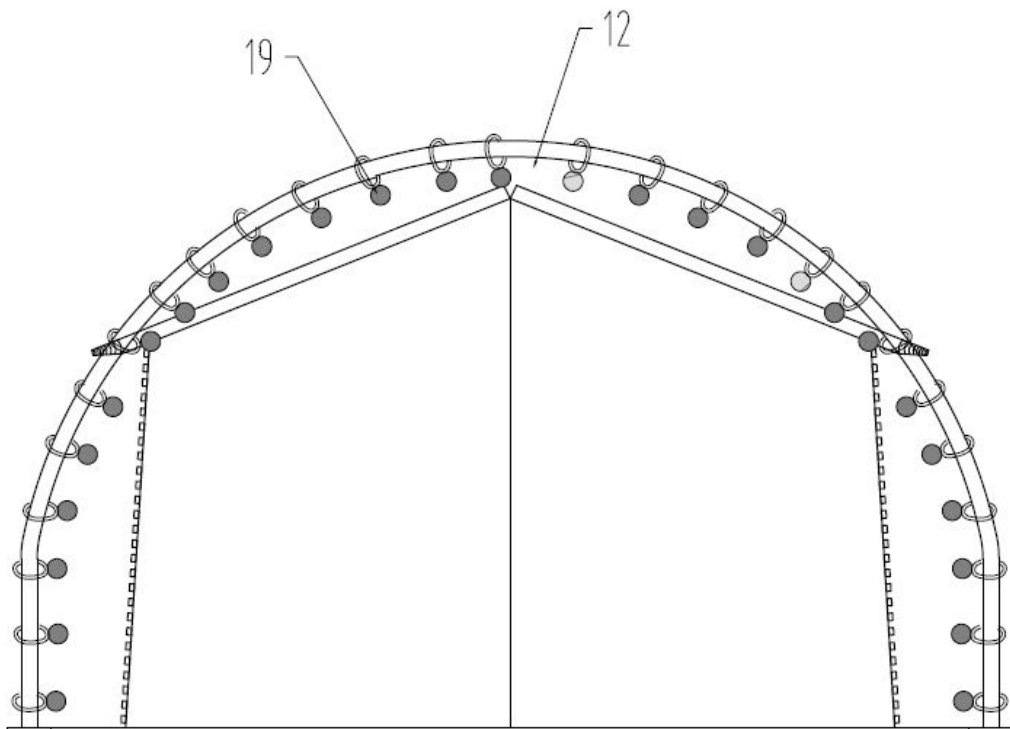


Figure 8

Use the Tension Ball (No. 19) to fix the front and rear cover No. 12 to the frame.



## D-INSTALLING THE ROOF COVER

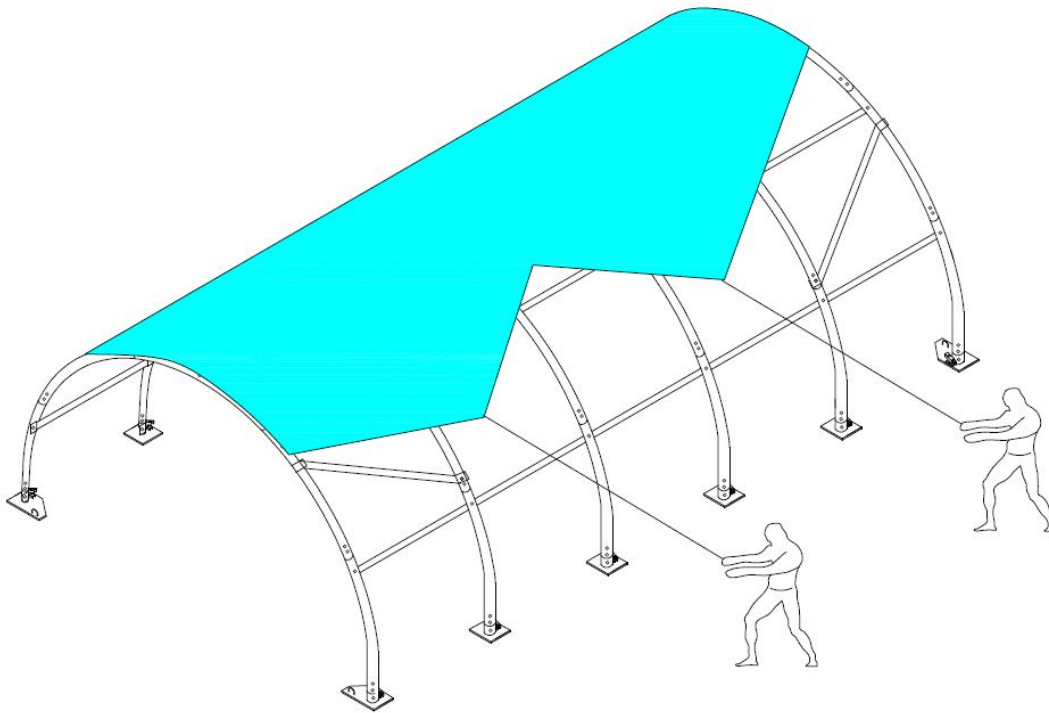


Figure 9

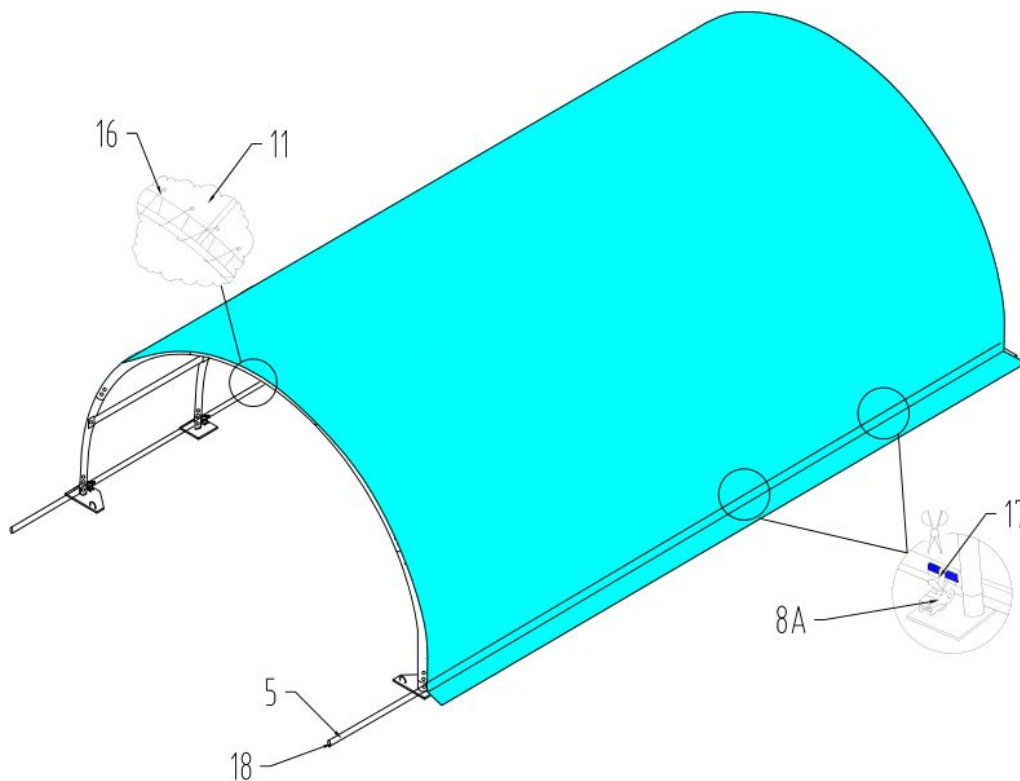


Figure 10

Put on the roof cover, fix it by using rope. Finally insert the lower tension tube No. 5 into the bottom the roof cover, install them by using Ratchets No. 8A and strap No. 17.

Finally insert the plastic plug to the ends of base rails. The assembly is finished, please adjust the cover every month.