



CAN INDUSTRIAL

SHELTER

ASSEMBLY MANUAL

Model # 304015R

(W30H15R SERIES)

Size: W9.15m x H4.5m x L12m



Part List

Parts Code	Description	Qty
1	Roof Bent Tube	7
2	Middle Bent Tube	10
2A	Middle Bent Tube for front and back door	4
3	Lower Bent Tube	10
3A	Lower Bent Tube for front and back door	4
4	Purlins	30
4A	Strengthening Support Tube(5group)	10
4B	Upper vertical supporting tube	5
4C	Vertical supporting tube for front and back door	2
5L	Side Base Plate for Connors (at left)	2
5R	Side Base Plate for Connors (at right)	2
6	Base Plate for front and back door	4
7	Base Plate for inner sidewall	10
8	Lower Portal for door frame	4
9	Upper Portal for door frame	4
10	Upper Horizontal Connection Tube for door	4
11	Crossbeam for door frame (2 sets)	4
12	Lower Tension Tube for front and back door	4
13	Diagonal Bracing Tube	4
13A	Clip for Diagonal Bracing Tube	8
14	Lower Tension Tube for roof cover (2 sets)	2 Group
15	Door Bracing Tube (2 sets)	4
16	Stake Peg	50
17	Screw M10x80mm for No.4	35
18	Bolt M8x70mm for No.1,2,2A,3,3A	104
19	Bolt M10x30 mm for No.10	23
19A	Bolt M10x50 mm No.4C	2
21	Winch (been installed on the base plate)	14
22	Roof Cover	1
23	Front and Back Door Cover	2
24	Knitting Rope for No.22,23	1 bundle
25	Nylon Band for Winch	14
26	Plastic Plug for No. 13,14	12

SPECIFICATION

L40' x W30'xH15'

Length: 12m Width: 9.15m Height: 4.5m

Door dimension: W3.5m x H3.5m (W11'6" x H11'6")

IMPORTANT-----READ MANUAL FIRST

Improper site preparation, Assembly and Maintenance may invalidate warranty and cause unnecessary and costly mistake. If you have any questions contact your local dealer.

For User Friendly assembly we have identified each individual component with the part code as indicated in the parts list. Please refer to the part code numbers and drawing to ensure problem free assembly.

It's necessary to tighten the roof fabric enough to avoid "hammocks" on the roof and also re-tighten once or twice again after a few months of use. This is important when assembly in cold weather (autumn and winter) because the fabric is stiff then and when we got the sun and warm weather afterwards it will make the fabric "slack" again and need to be re-tighten before next winter.

It's the owners responsibility to take of snow immediately if not slide off by itself.

READ ALL INSTRUCTIONS BEFORE ASSEMBLY

1. Keep work area clean. Cluttered areas invite injuries. Do not set up near snow drifts, in slippery places, in high winds, or wet location.
2. Keep children away. All children should be kept away from the work area.
3. Don't over reach. Keep proper footing and balance at all times.
4. Do not assemble in under the influence of alcohol or drugs. Read warning labels on prescriptions to determine if your judgment or reflexes are impaired while taking drugs. If there is any doubt, do not assemble.
5. Be aware of possible windy conditions; fasten the bases in concrete if these conditions are likely to occur. Remove the cover during hurricane.
6. Be careful with power and heat sources. Do not keep heat sources near the tarpaulin. Do not expose to open flame.
7. Be aware of personal safety during assembly and use. Be careful not to pinch fingers with clips and tubes when assembling: when using makes sure there is adequate ventilation for exhaust and other dangerous fumes.

EQUIPEMNT AND TOOLS FOR INSTALIAATION

1. Measuring tape
2. String for alignment
3. Step ladder
4. Welder
5. Sledge hammer
6. Wrench
7. Scissors

INSTALLATION PROCESS

A—BASE INSTALLATION

Please refer to the diagram (Figure 1) to place the base plates.

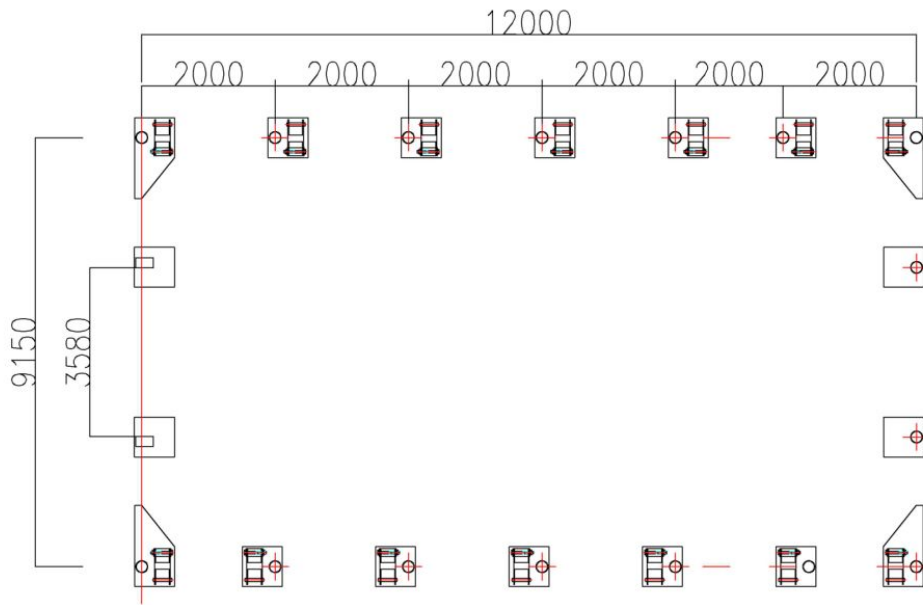


Figure 1

1. The measure if from center to center of the tubes. Referring to the above diagram and confirm the place of the base plates. ENSURE THAT THE FOUNDATIONS IS SQUARE.
2. There are three holes on the Base Plates (No.5, 7) and two holes on the Base Plate (No.6), for Stake Peg (No.16). THUS ALL BASE PLATES ARE SECURED.

Foundation Placement

As **Figure 2** shows each Base Plate is equipped with three pieces of Stake Peg (No.16).

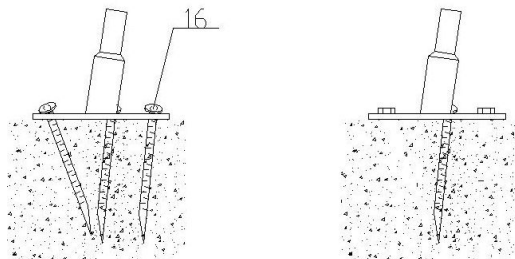
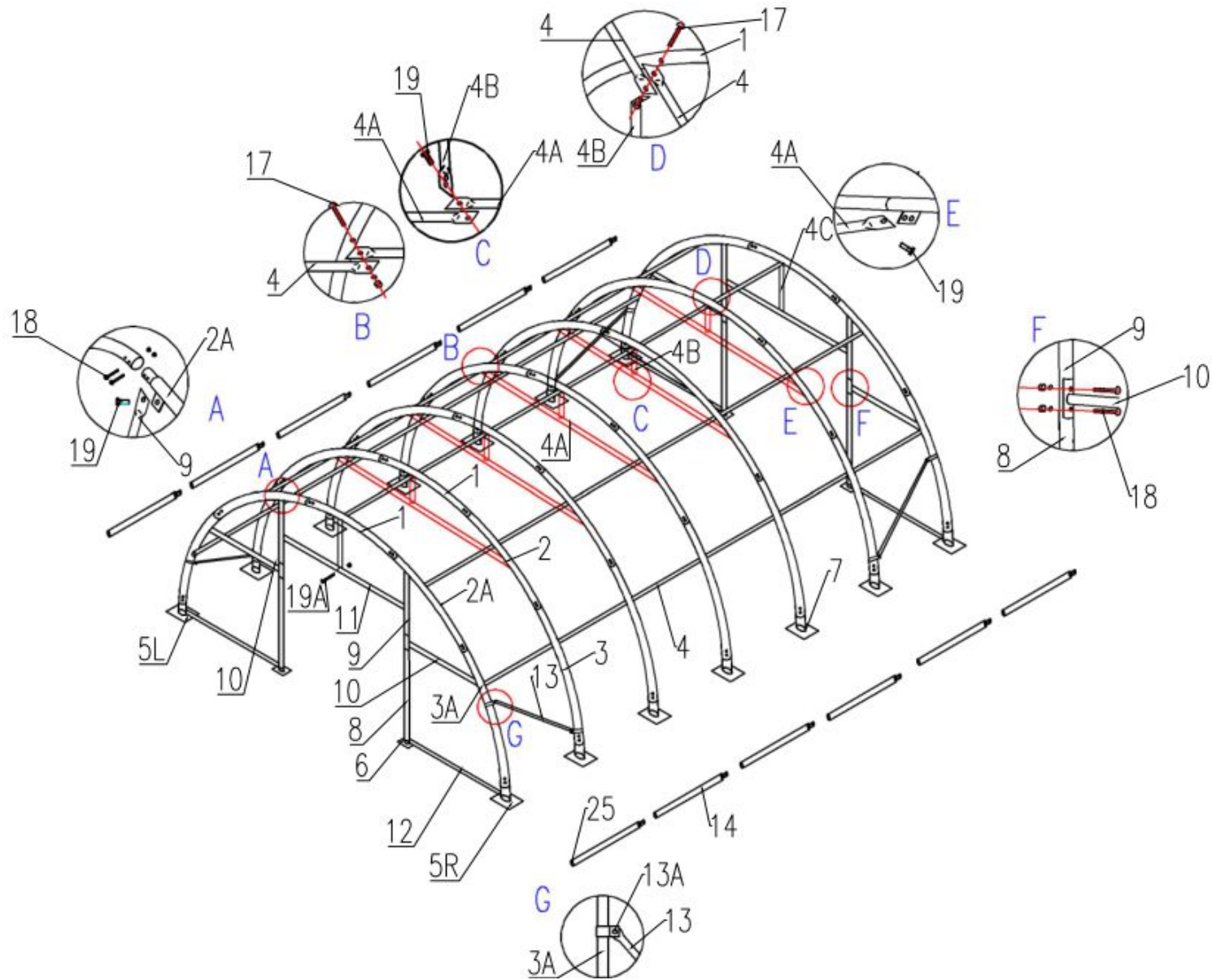


Figure 2

Note: The Stake Pegs apply for normal conditions, not suitable to the rock ground, frozen soil and concrete ground.



(H40' xW30'x L15') **FRAME SKETCH** **Figure 3**

B—FRAME INSTALLATION

1. As Figure 4 shown to find one Roof Bent Tube (No.1), two Middle Bent Tubes for doors (No. 2), Lower Bent Tube (No. 3) and assemble every group arch with Screw M8x70 (No.20). DO NOT install the screw on the top of the truss where the fabric will rest.

Note: Middle Bent Tube and Lower Bent Tube for two end tubes (No.2A&3A) which are welded with steel plates for upper portal (No.9) and Side Rail (No.10) are different from the middle.

2. Lift an assembled arch onto one base plate and force the other end of the arch onto the opposite base plate.

IMPORTANT: THE ARCHED WILL BE WIDER THAN THE BASE PLATES

1. When finish installing the first two arches into the base plates, use Purlins (No.4) to connect them by Screw M10x80 (No.17). Then install the third arch into the third arch into the plate and connect the Purlins. In this turn, fix all other arches and other purlins. Then come to install the front panel and back panel. Find the relative components and assemble them. The horizontal Strengthening Support Tube (No.4) under the roof bent tube is used for making the frame be much stronger(4A).
2. Connect the Diagonal Bracing Tube (No.13) with clip (No.13A) between the Lower Bent Tubes as figure 5.

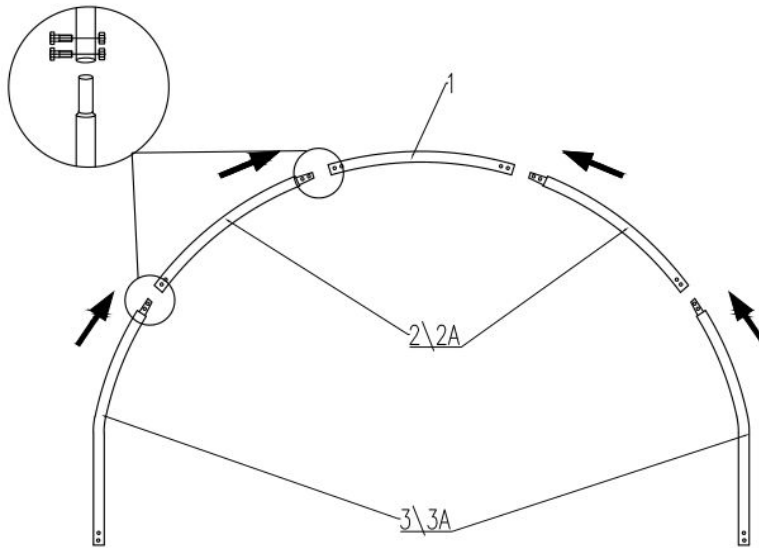


Figure 4

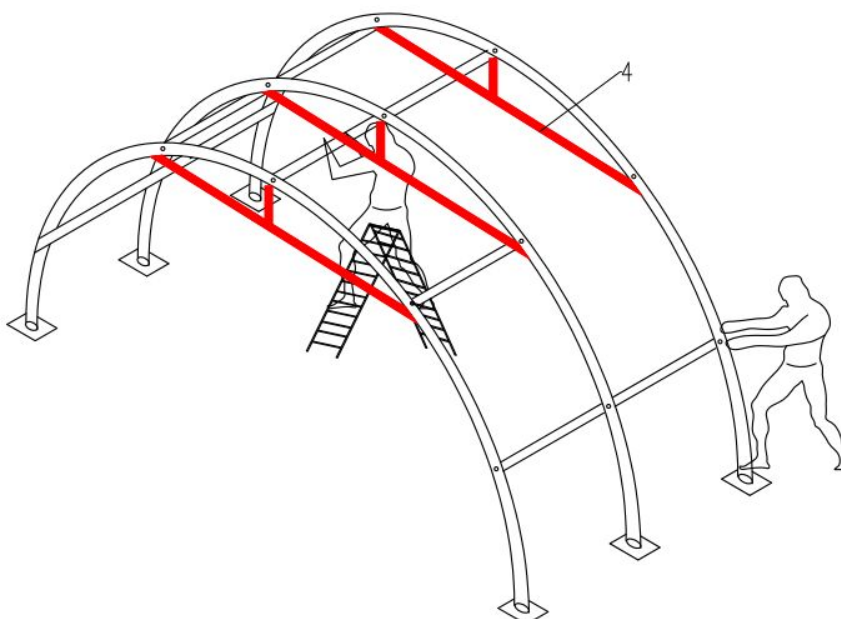


Figure 5

C—INSTRUCTION THE ROOF COVER

NOTE: DO NOT install the cover onto the frame of your building in high wind conditions. A slight breeze is the most advantageous for cover installation. To take advantage of the breeze, pull the cover up over the arches with breeze blowing in the cover like a sail filled with air.

1. Assemble Tension Tube for Roof Cover (No.14) before installing the cover.
2. Roll out the roof cover on a ground sheet. Align the cover evenly to each end of the frame.
Note: Be sure doing not pullover the end of the roof cover.
3. Pull the cover over the frame **EVENLY, CAREFULLY AND SLOWLY**. Insert the tension tubes (No.14) into the cover pipe pockets and loosely secure the Nylon Band (No.25) for Winch in the Winch (No.21). **DO NOT TIGHTEN**. Adjust the cover so that it is square and evenly centered on the frame. Put the lower tension tube inside.

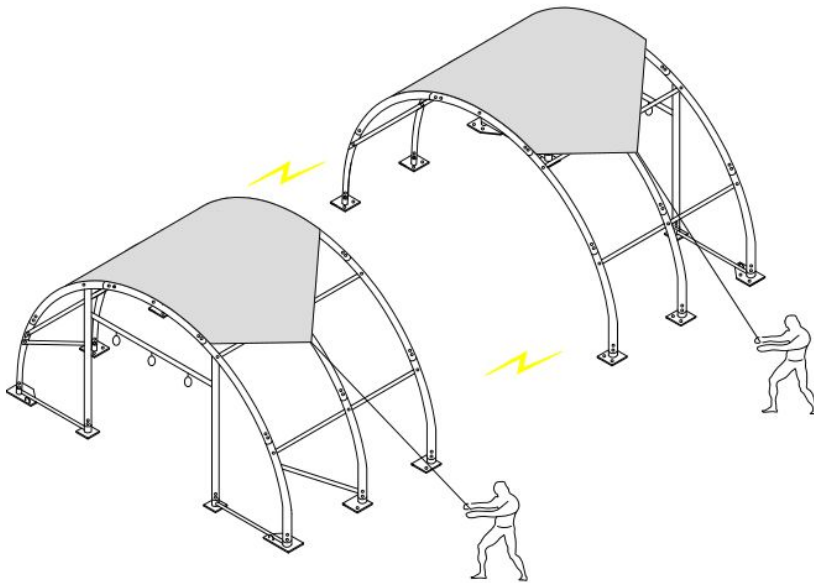


Figure 6

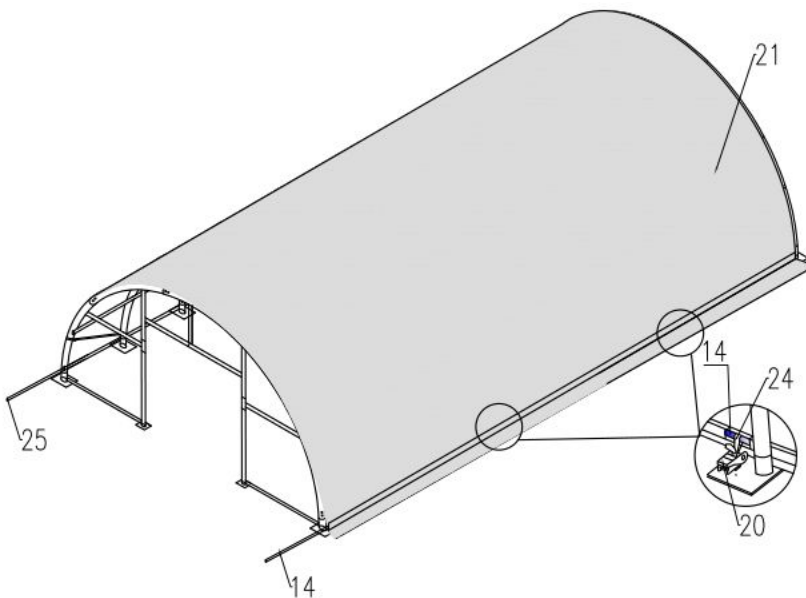


Figure 7

Note: The end flaps must overhang evenly at both ends.

4. With the end flaps flipped back and out of the way, use the supplied Knitting Rope (Part No. 24) to tighten the roof cover to the end arches. The rope should be cut as your requirements when using. The recommended procedure is to use separate pieces of rope and start by first lacing the cover from the bottom edges up to the top center. Secure the ropes at the top center and then apply tension as you lace down both sides. Fasten the rope at the bottom edge. Put the Plastic Plug (No.26) for part No. 13& 14 onto the end of tubes. Drive the Ratchet Tie Down forth and back and then roof cover is tightened.

D—INSTRUCTION THE FRONT AND BACK COVER

Fit the tension tube into the base plate as shown.

Use Knitting Rope (No.24) on Front and Back cover to lace the grommets in the end to the tension tubes evenly. The end covers are tied to the frame (Roof, Middle & Lower Bent Tube) by Knitting Rope. They are also been secured to the end frame (door tube and side rail) by Knitting Rope.

Method of Fastening Front and Back Cover .

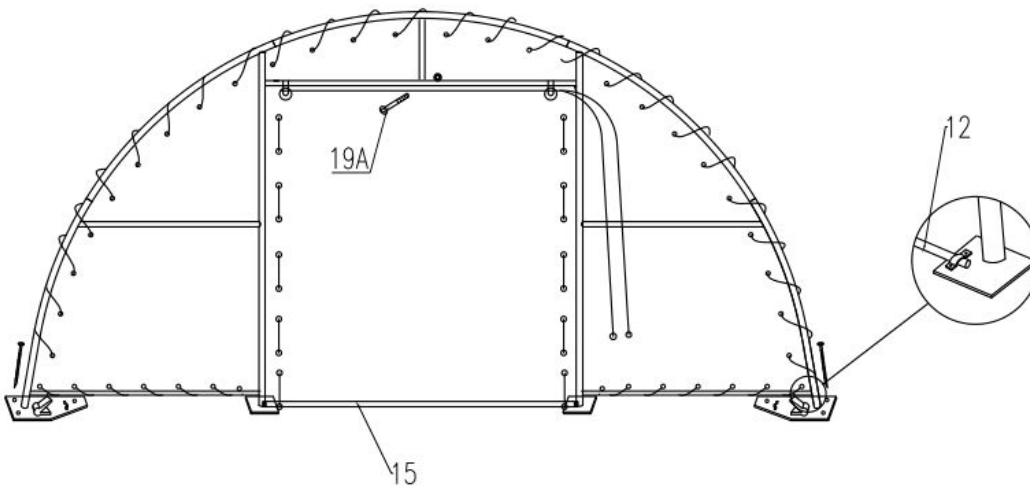


Figure 7

Tidy the cover, Roof Cover, Back Cover and Front Cover. Fasten the band inside the end of the roof cover, make the cover well fold to the frame and tie the end of the band to the Clips on Base Plates at four corners.

NOW THE INSTALLATION IS FINISHED.

NOTE: DO NOT LEAVE THE ROOF COVER UNATTACHED UNDER ANY CIRCUMSTANCES until the final assembly and tightening has been completed. The process is quite easy. But some tightening adjustments will be necessary to produce a flat, tension ed roof cover. Please adjust the roof cover every month.