



CAN INDUSTRIAL

SHELTER

ASSEMBLY MANUAL

Model#407021P

(W40H21P SERIES)

Size: W12.2m x H6.4m x L21.35m



SPECIFICATION

Width: 12.2m Height: 6.4m Length: 21.35m
Door dimension: W4xH4m

IMPORTANT----READ MANUAL FIRST

Improper site preparation, assembly and maintenance may invalidate warranty and cause unnecessary and costly mistakes. If you have any questions contact your local dealer.

For User Friendly assembly we have identified each individual component with the part code as indicated in the parts list. Please refer to the part code numbers and drawing to ensure problem free assembly.

It's necessary to tighten the roof fabric enough to avoid "hammocks" on the roof and also re-tighten once or twice again after a few months of use. This is important when assembly in cold weather (autumn and winter) because the fabric is stiff then and when we got the sun and warm weather afterwards it will make the fabric " slack " again and need to be re-tighten before next winter.

It's **the owners responsibility** to take of snow immediately if not slide of by itself.

READ ALL INSTRUCTIONS BEFORE ASSEMBLY

1. Keep work area clean. Cluttered areas invite injuries. Do not set up near snow drifts, in slippery places, in high winds, or wet location.
2. Keep children away. All children should be kept away from the work area. Be aware of personal safety. Be careful not to pinch fingers with clips and tubes when assembling: when using makes sure there is adequate ventilation for exhaust and other dangerous fumes.
3. Do not over reach. Keep proper footing and balance at all times.
4. Do not assemble if under the influence of alcohol or drugs. Read warning labels on prescription to determine if your judgment or reflexes are impaired while taking drugs. IF there is any doubt, do not assemble.
5. Be aware of possible windy conditions; fasten the base in concrete if these situations may occur. Remove the cover during hurricane.
6. Be careful with power and heat sources. Do not keep heat sources near the tarpaulin. Do not expose to open flame.
7. Be aware of personal safety during assembly and use .Be careful not to pinch fingers with clips and tubes when assembling when using makes sure there is adequate ventilation for exhaust and other dangerous fumes.

407021P Spare Parts List

Part	Description	QTY	
1	Roof Bent Tube	6	set
1A	Roof Bent Tube for Front & Back Wall	2	set
2	Upper-Middle Connecting Truss	12	set
2A	Upper-Middle Connecting Truss for Front & Back Wall	4	set
3	Lower-Middle Connecting Truss	12	set
3A	Lower-Middle Connecting Truss for Front & Back Wall	4	set
4	Side Wall Bent Tube	16	set
5	Uprights	16	set
6	Purlins	63	pcs
6A	Supporting Tube for Side Wall Bent Tube	12	pcs
7	Base Plates for Uprights	12	pcs
7A	Base Plate for left corner	2	pcs
7B	Base Plate for right corner	2	pcs
7C	Ratchet with screw	20	set
8	Middle Base Plate for the Front & Back Door	4	pcs
9	Side Base Plate for the Front & Back Door	4	pcs
10L	Lower Door Track for Front & Back Door at left	2	pcs
10R	Lower Door Track for Front & Back Door at right	2	pcs
11L	Upper Door Track for Front & Back Door at left	2	pcs
11R	Upper Door Track for Front & Back Door at right	2	pcs
12	Beam for Two Doors	4	pcs
12A	Vertical Suspending Tube for Front & Back Door	2	pcs
12B	Steel Plate	8	pcs

13	Lower Upright for Front & Back Door at Left	2	pcs
13A	Lower Upright for Front & Back Door at Right	2	pcs
14	Upper Door Track for Front & Back Door	4	pcs
15	Horizontal Tube for Front & Back Wall	8	pcs
16	Tube for Assembly the Winch	2	pcs
17	Supporting Steel Wire for Side Wall	14	pcs
18	Clips	88	pcs
19	Steel Wire for Roof Frame	16	pcs
19A	Vertical Steel Wire for Arches	6	set
20	Lower Tensioning Tube for Front & Back Wall	8	pcs
21	Stake pegs	80	pcs
22	Tensioning Tube	2	groups
23	13*30 Bolts for tubes and two doors	160	set
24	10*80 Carriage Bolts	80	set
24A	10*90 Bolts for two doors	52	set
24B	10*60 Screw	6	set
24C	8*70 Screw	16	set
25	Tube should be insert into the Door Cover	14	groups
26	Winch for Door	2	set
27	dia.32mm Plastic Plugs	20	pcs
28	Rope	1	bundle
29	Wrench	2	pcs
30	Belts	16	pcs
31	Pvc Tube	2	groups
32	10*30 Screw	4	set
33	Small Ratchet with Belts	10	pcs
34	Roof Cover	1	pcs
35	Front & Back Cover	2	pcs

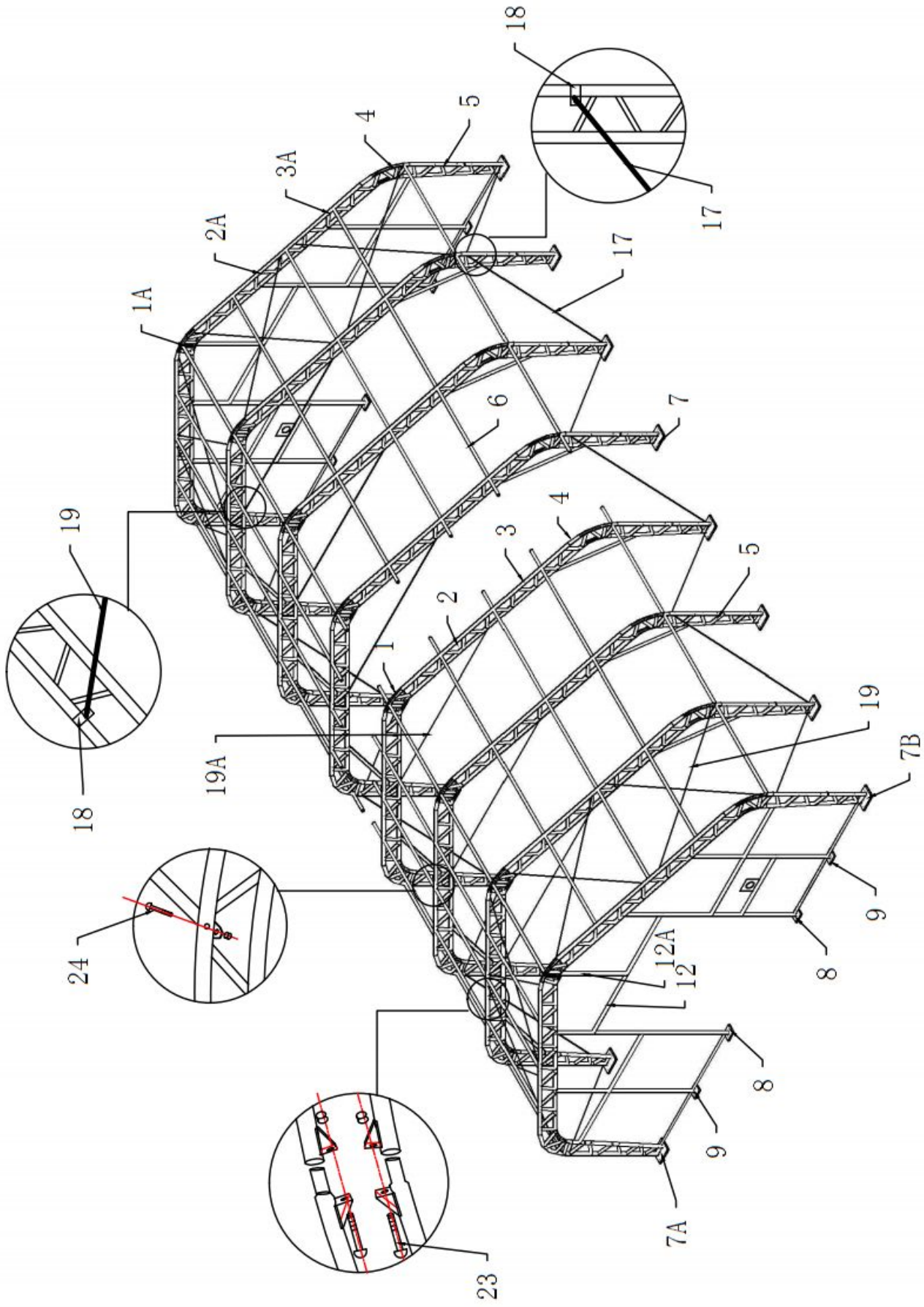


Figure 1: Sketch of trussed frame shelter
 Size: W12.2mxH6.4mxL21.35m

EQUIPMENT AND TOOLS FOR INSTALLATION

1. Measuring Tape
2. String for alignment
3. Stake
4. Ladder or Scissors Lift
5. Sledge Hammer
6. Drill
7. Wrench
8. Knife
9. Hoist

INSTALLATION PROCESS

A----BASE INSTALLATION

Please refer to the diagram (Figure 2) to place the base plates:

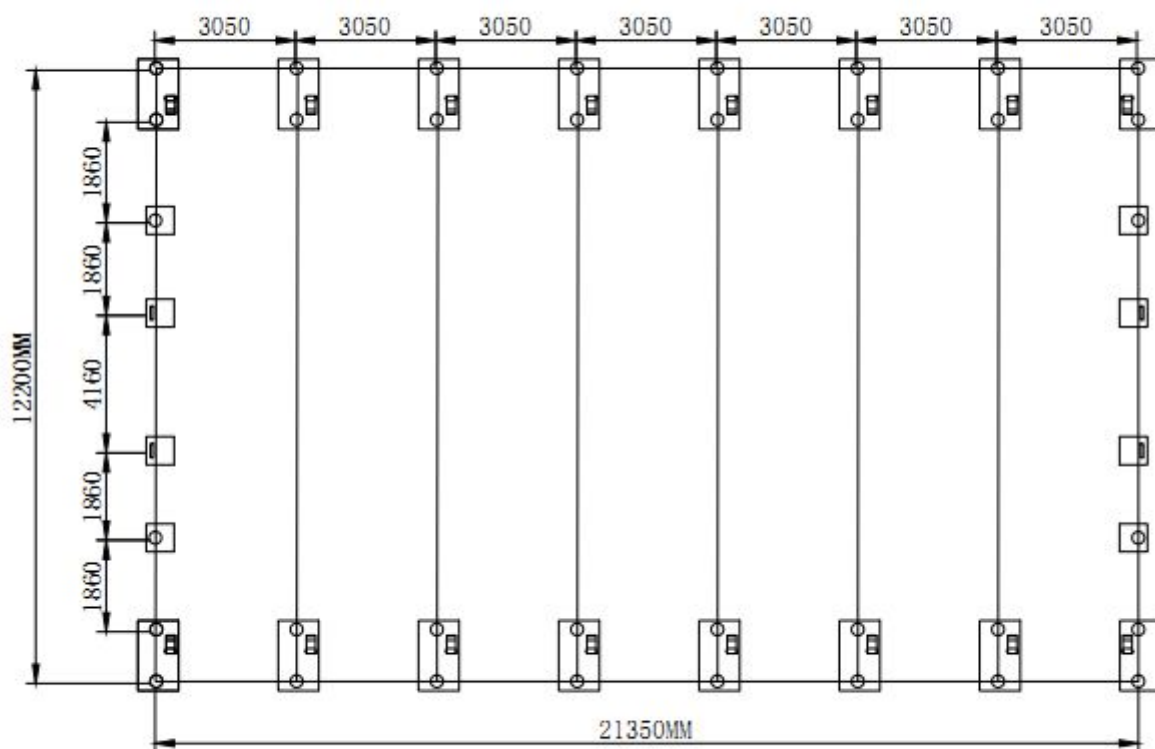


Figure 2

1. The measurement is from center to center of tubes on the base plates. Referring to the above diagram and confirm the place of base plates. There are four holes on the plates for stake pegs.

Foundation placement

As Figure 2 shows each Base plate is equipped with 4 pieces of Stake pegs with ratchets on.(No.21)

1. Mark the stake peg hold through the base plate by using the stake peg. Move the base plates away and the mark determines where the stake peg will be.
2. **Note:** The stake peg apply for normal conditions, not suitable to the rock ground, frozen soil and concrete ground.

B---FRAME INSTALLATION

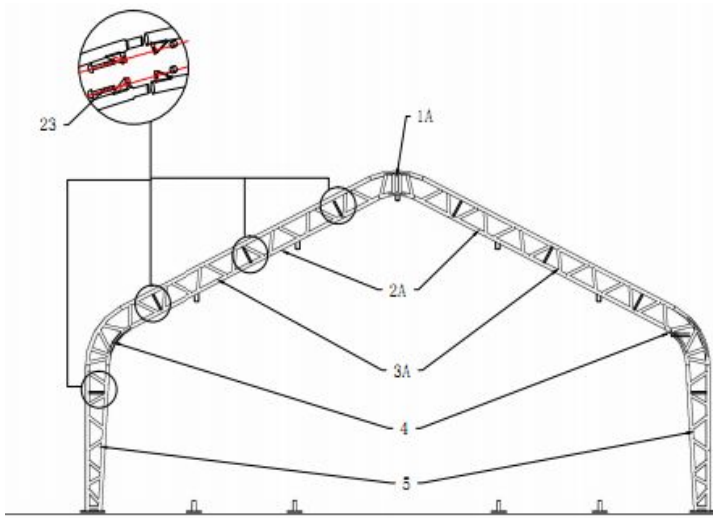


Figure 4

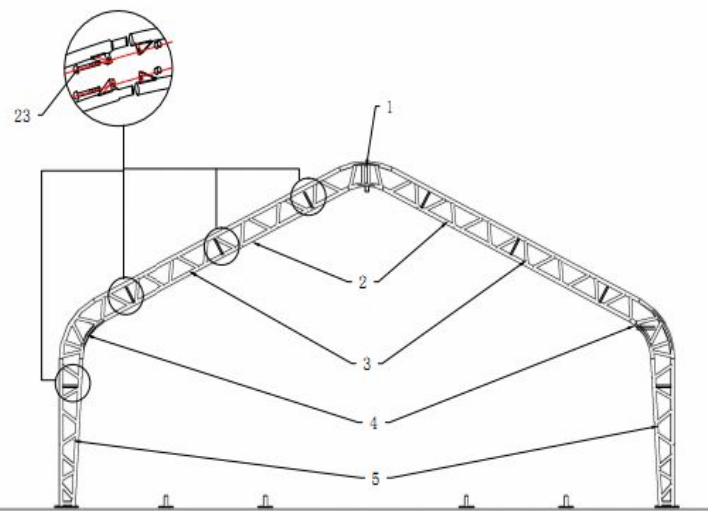


Figure 5

1. Figure 4 shows to connect the Top roof tube (No.1A), Roof curving tube (No.2A), Roof curving tube at both doors (No.3A), Sidewall tube (No.4) and Standing leg (No.5) with Bolt M12x30mm (No.23), then put the arch into tube of the Base flange by hoist, and assemble every group arch by turns (see Figure 5).

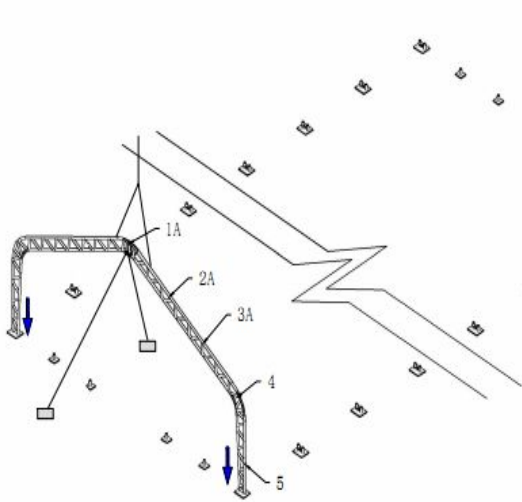


Figure 6

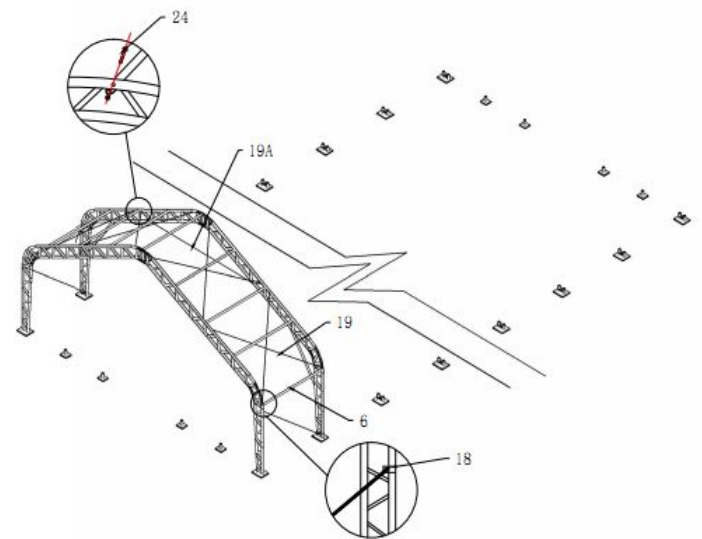
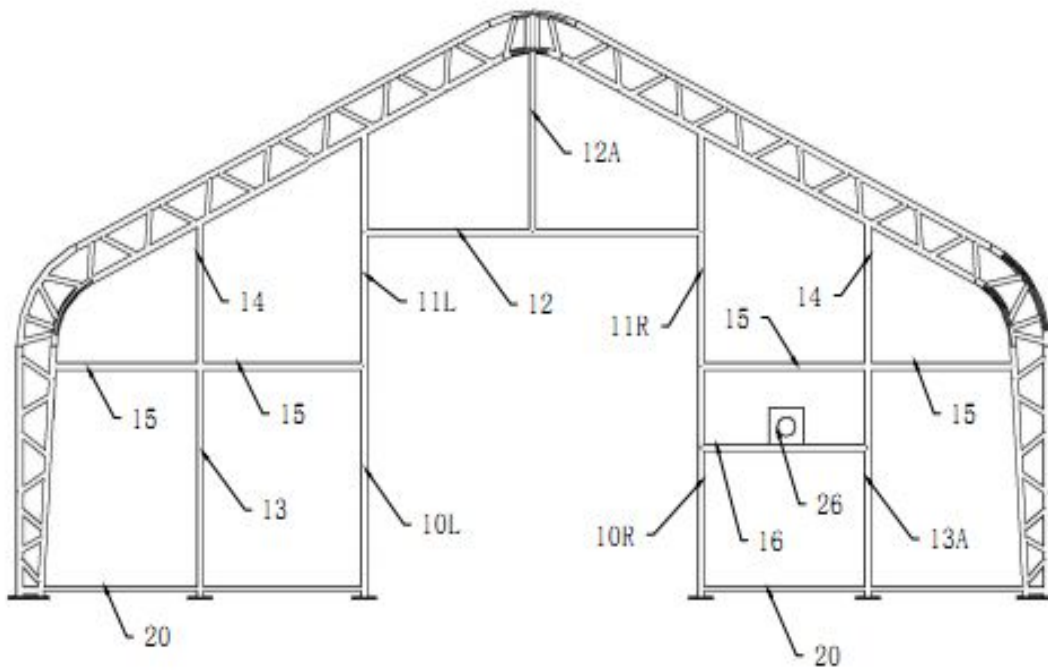
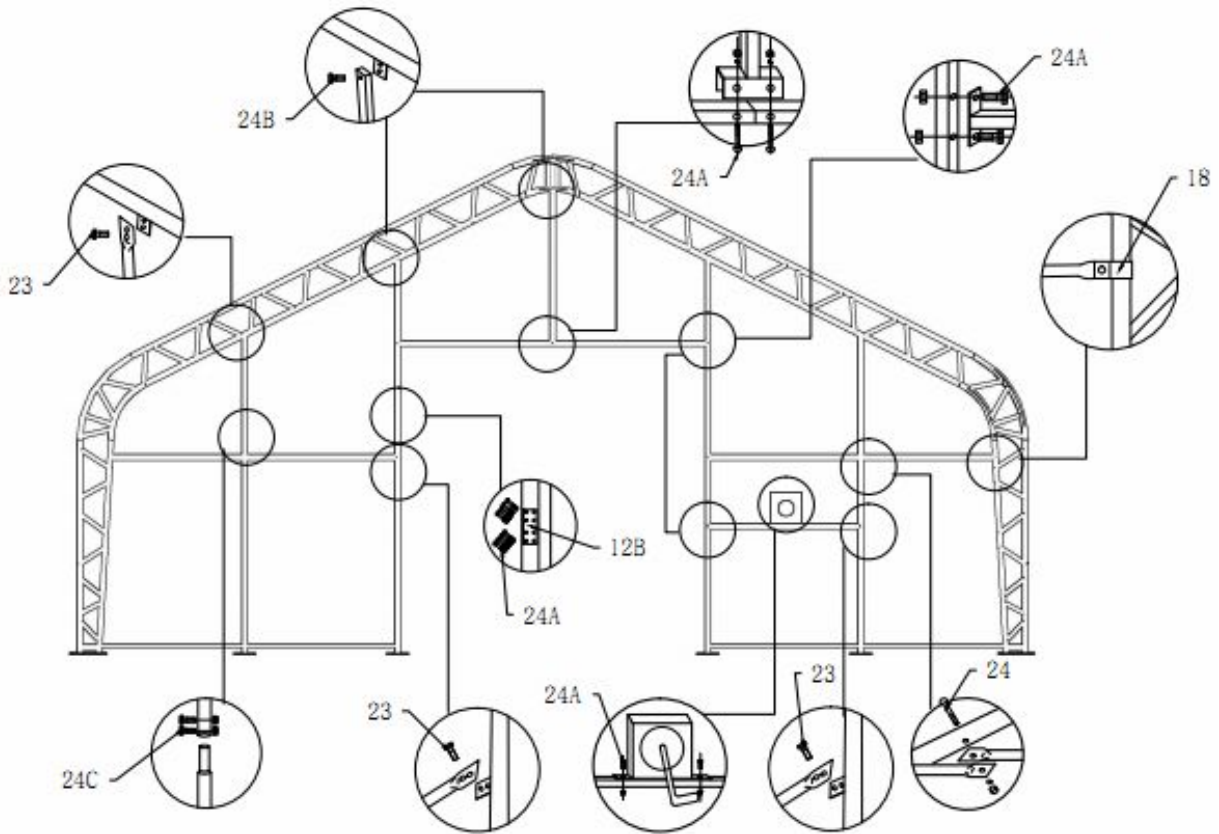


Figure 7

3. Connect Purlin (No.6) to arch by using Bolt M10x80mm (No.24) by turns (see Figure 7), then connect the Steel wire (NO.17 and NO.19) on top and side by using Clip (No.18) (see Figure 7).

C--- INSTALLING FRONT AND BACK COVER



After Assembly the Arches, pls assembly the front and back wall as the picture above show.

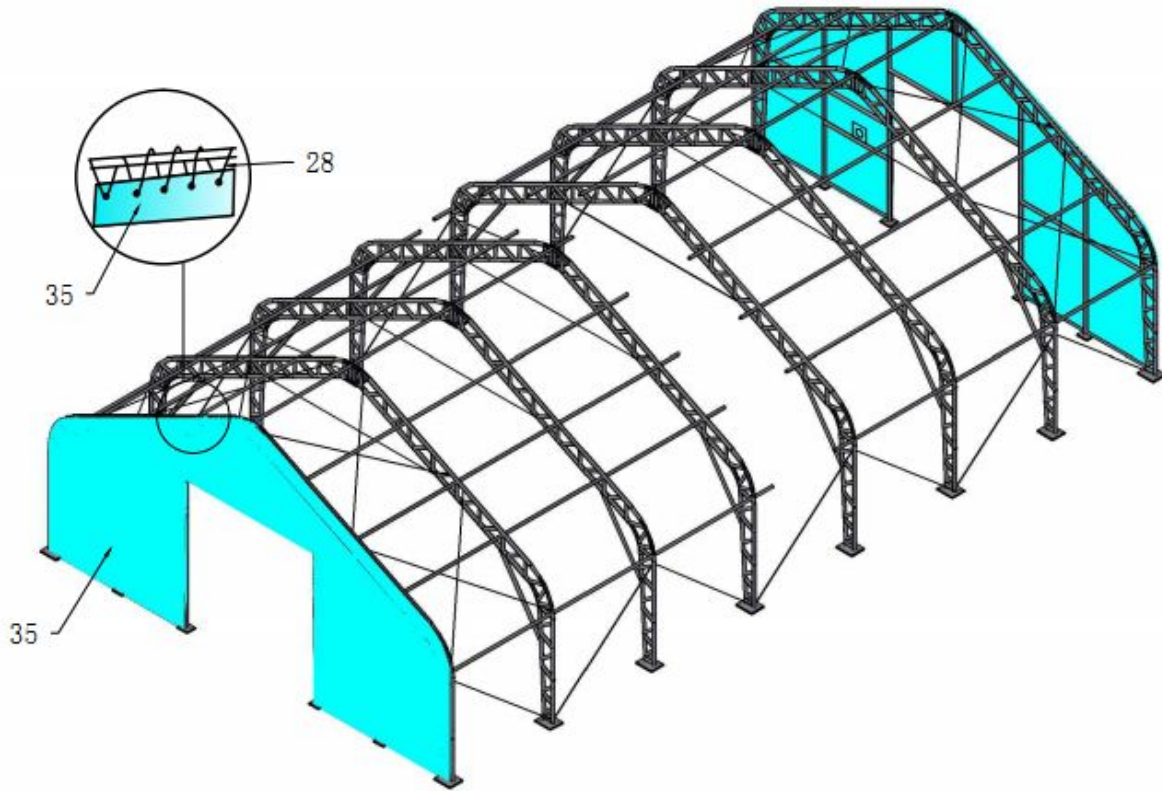


Figure 8 Front and Back Cover

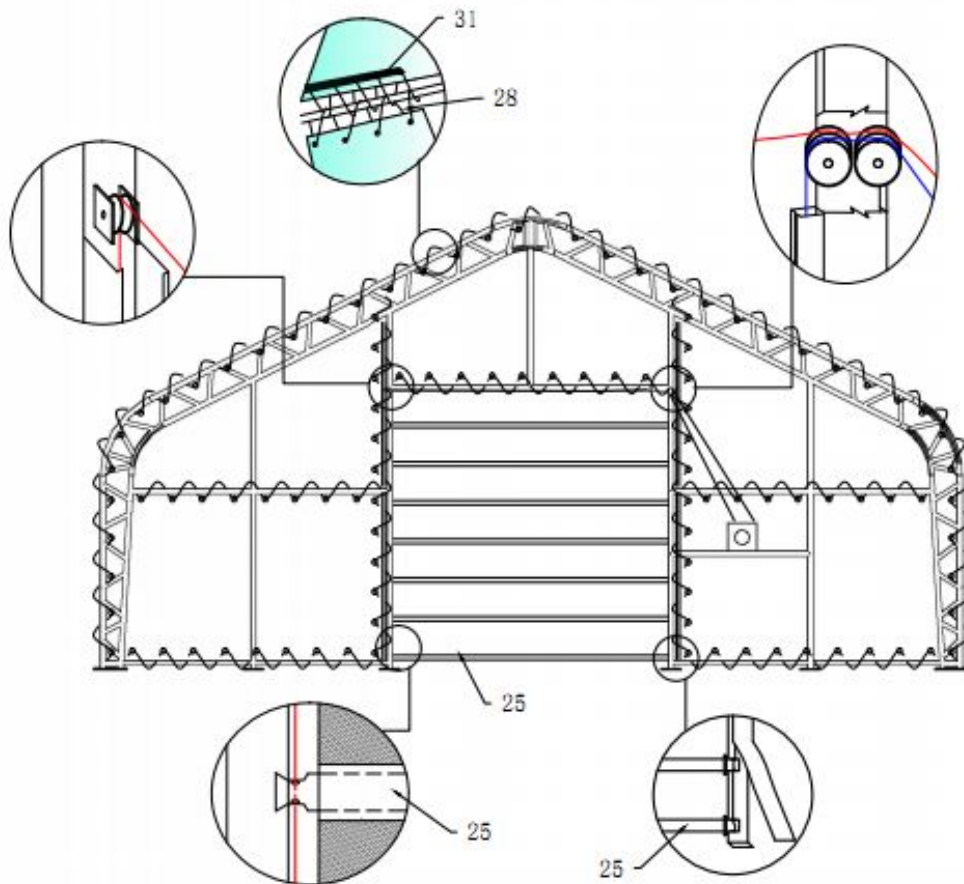


Figure 9 Front door

2.Insert the tubes(Part No.25) into front and back door through the pockets on covers, tidy the front door and back door covers by using Rope(No.28), make the cover well fold to the frame and tension the cover.

D--- INSTALLING THE ROOF COVER

NOTE: Do not install the cover onto the frame of your building in high wind conditions.

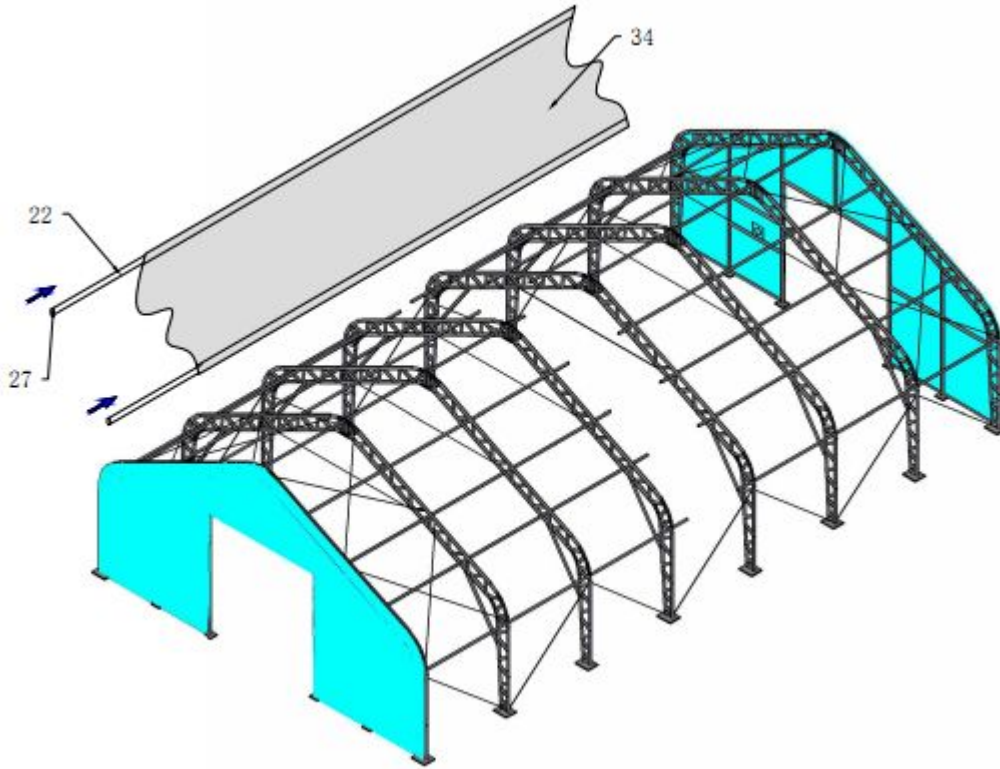
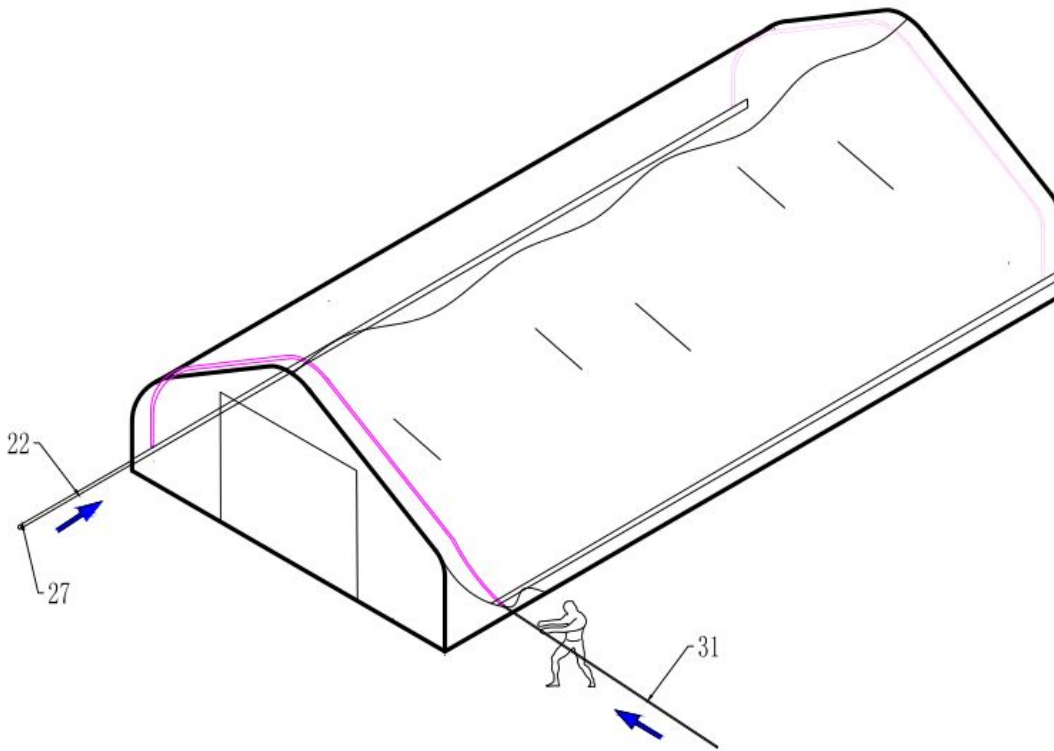


Figure 10



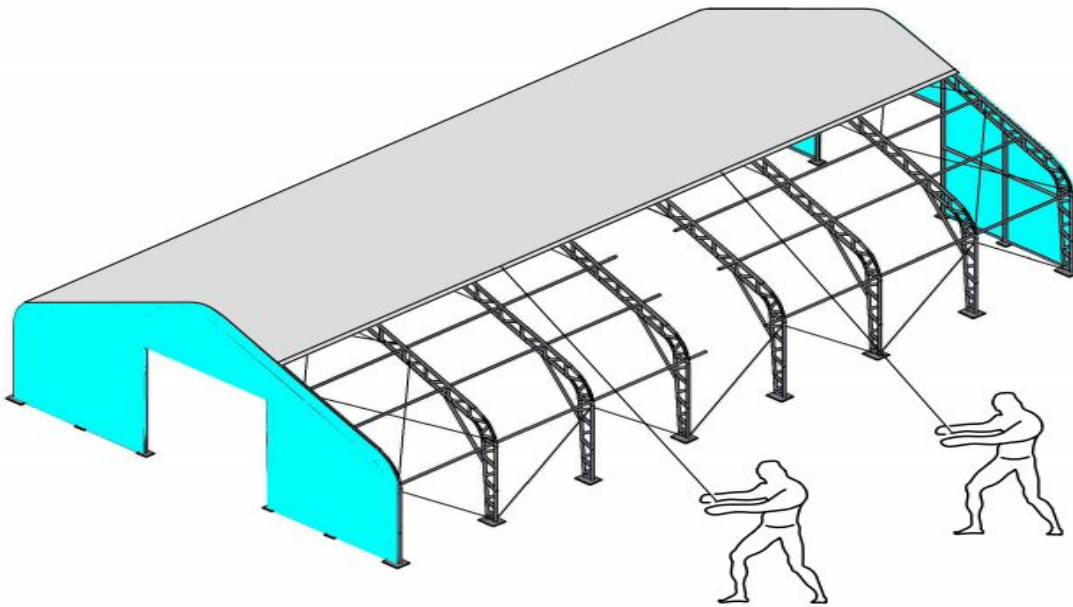


Figure 11

1. As Figure 10 shows, when Roof cover is over top of Frame assembly (see Figure 10)

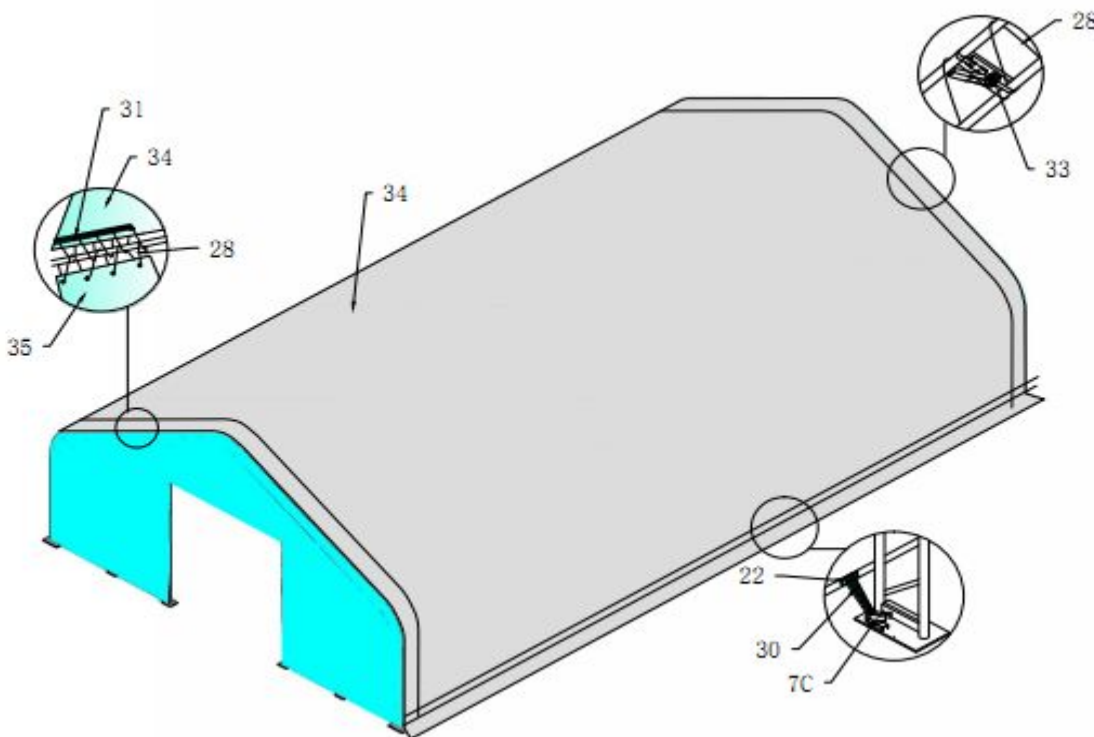


Figure 12

2. As Figure 12 shows, align one side of Roof cover evenly front to back, add band(No.30) for tie down ratchet at each point along the cover opening, Put band for tie down ratchets over cover tension tubes at each base plate along one side. Bands do not attach to tension tubes, but loop around and secure at both ends on ratchet.
3. The roof cover is tension ed frond front to back by the rope lacing to grommet flaps inside the main cover, inside the unit at both front and rear arches. using the rope provided, lace the main cover grommet flap around the main frame front and rear arch pieces. start in the top middle of each arch, and lace to each side. add rope length by tying pieces together or cutting as necessary.