



**CAN INDUSTRIAL**

**SHELTER**

**ASSEMBLY MANUAL**

**Model#408021P**

**(W40H21P SERIES)**

**Size: W12.2mxH6.4m xL24.4m**



## **SPECIFICATION**

Width: 12.2m      Height: 6.4m      Length: 24.4m  
Door dimension: W4xH4m

## **IMPORTANT----READ MANUAL FIRST**

Improper site preparation, assembly and maintenance may invalidate warranty and cause unnecessary and costly mistakes. If you have any questions contact your local dealer.

For User Friendly assembly we have identified each individual component with the part code as indicated in the parts list. Please refer to the part code numbers and drawing to ensure problem free assembly.

It's necessary to tighten the roof fabric enough to avoid "hammocks" on the roof and also re-tighten once or twice again after a few months of use. This is important when assembly in cold weather (autumn and winter) because the fabric is stiff then and when we got the sun and warm weather afterwards it will make the fabric " slack " again and need to be re-tighten before next winter.

It's **the owners responsibility** to take of snow immediately if not slide of by itself.

## **READ ALL INSTRUCTIONS BEFORE ASSEMBLY**

1. Keep work area clean. Cluttered areas invite injuries. Do not set up near snow drifts, in slippery places, in high winds, or wet location.
2. Keep children away. All children should be kept away from the work area. Be aware of personal safety. Be careful not to pinch fingers with clips and tubes when assembling: when using makes sure there is adequate ventilation for exhaust and other dangerous fumes.
3. Do not over reach. Keep proper footing and balance at all times.
4. Do not assemble if under the influence of alcohol or drugs. Read warning labels on prescription to determine if your judgment or reflexes are impaired while taking drugs. IF there is any doubt, do not assemble.
5. Be aware of possible windy conditions; fasten the base in concrete if these situations may occur. Remove the cover during hurricane.
6. Be careful with power and heat sources. Do not keep heat sources near the tarpaulin. Do not expose to open flame.
7. Be aware of personal safety during assembly and use .Be careful not to pinch fingers with clips and tubes when assembling when using makes sure there is adequate ventilation for exhaust and other dangerous fumes.

**Part List**

Part	Description	Qty.
1	Top roof tube	7sets
1A	Top roof tube in the front and back door	2 sets
2	Roof curving tube	14sets
2A	Roof curving tube in the front and back door	4sets
3	Roof curving tube at shoulder height	14sets
3A	Roof curving tube in the front and back door	4sets
4	Sidewall tube	18
5	Standing leg	18
6	Purlin	72
6A	Shoulder supporting bent tube	14
7	Base flange for standing legs	14
7A	Base flange in left corner	2
7B	Base flange in right corner	2
7C	Base flange with screw	22 sets
8	Base flange for mechanical door	4
9	Base flange for front and back door	4
10L	Lower door track for front and back door at left	2
10R	Lower door track for front and back door at right	2
11L	Upper door track for front and back door at left	2
11R	Upper door track for front and back door at right	2
12	Door beam on both doors	4
12A	Vertical support tube for door beam	2
12B	Angle steel plate	8
13	Lower standing leg on both doors	2
13A	Lower standing leg on both doors to connect the winch rail	2
14	Upper standing leg on both doors	4
15	Middle rail on both doors	8
16	Middle rail at side on both doors	2
17	Steel wire at side	16
18	Clips to connect steel wire	96
19	Steel wire on top	16
19A	Steel wire on for sidewall	7
20	Tension tube of both door	8
21	Stake Peg	88
22	Tension tube	2 sets
23	Bolt M12x30mm	180 sets
24	Bolt M10x80mm	89 sets
24A	Bolt M10x90mm	52sets
24B	Bolt M10x60mm	6sets

24C	Bolt M8x70mm	16sets
25	Tubes for doors	14 sets
26	Mechanical wheel	2 sets
27	32mm Plastic cap	20
28	Rope	6
29	Tools	2sets
30	Band for tie down ratchet	18
31	PVC tube	2 sets
32	Bolt M10x30mm	4 sets
33	Small ratchet	10
34	Roof cover	1
35	Front and back door cover	2

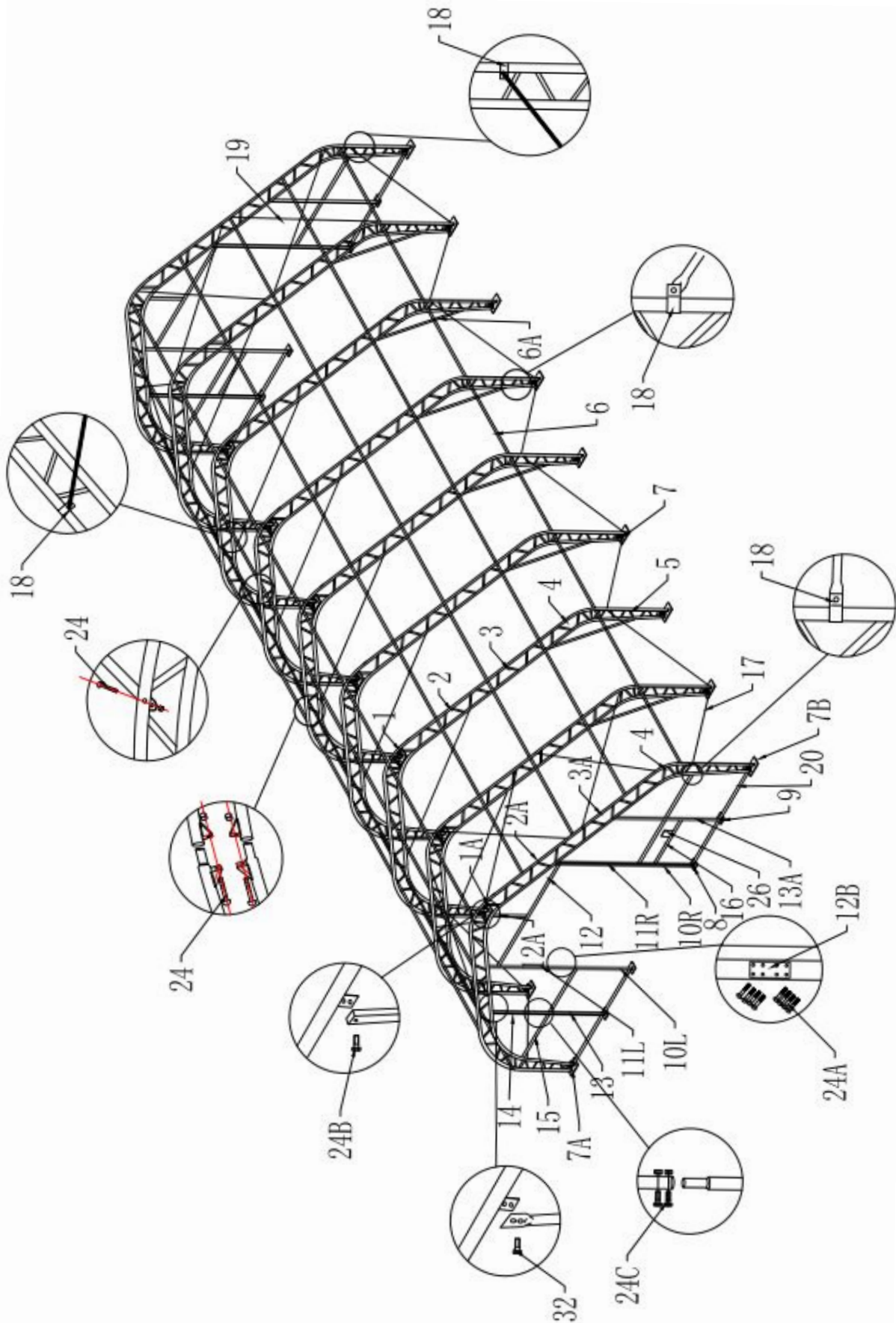


Figure 1: Sketch of trussed frame shelter  
 Size: W12.2m x H6.4m x L24.4m

## EQUIPMENT AND TOOLS FOR INSTALLATION

1. Measuring Tape
2. String for alignment
3. Stake
4. Ladder or Scissors Lift
5. Sledge Hammer
6. Drill
7. Wrench
8. Knife
9. Hoist

## INSTALLATION PROCESS

### A---BASE INSTALLATION

Please refer to the diagram (Figure 2) to place the base plates:

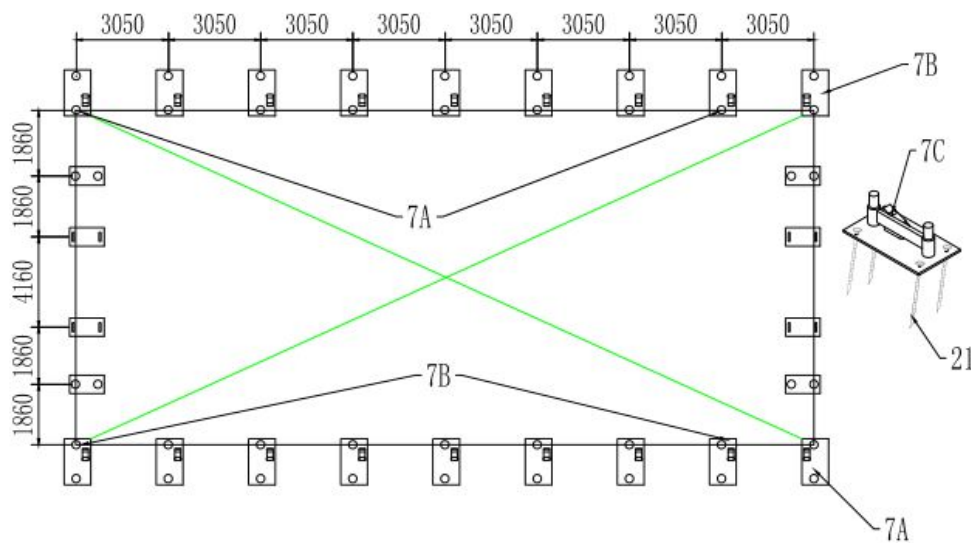


Figure 2

1. The measurement is from center to center of tubes on the base plates. Referring to the above diagram and confirm the place of base plates. There are four holes on the plates for stake pegs.

#### **Foundation placement**

As Figure 2 shows each Base plate is equipped with 4 pieces of Stake pegs with ratchets on.(No.21)

1. Mark the stake peg hold through the base plate by using the stake peg. Move the base plates away and the mark determines where the stake peg will be.
2. **Note:** The stake peg apply for normal conditions, not suitable to the rock ground, frozen soil and concrete ground.

## B---FRAME INSTALLATION

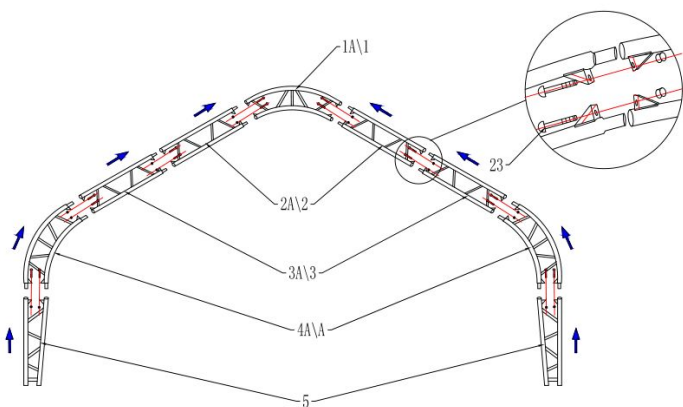


Figure 4

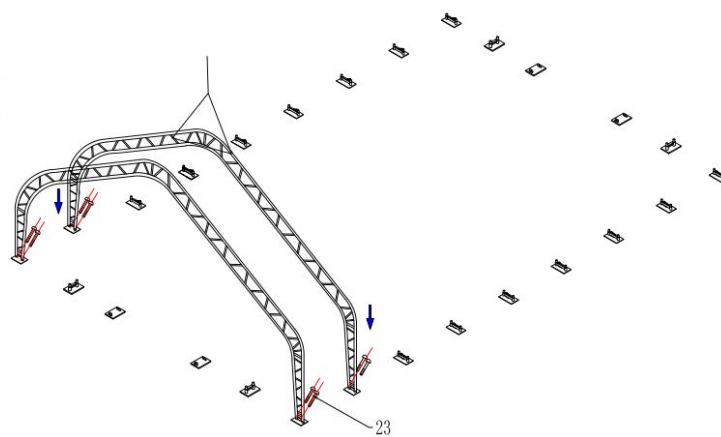


Figure 5

1. Figure 4 shows to connect the Top roof tube (No.1A), Roof curing tube (No.2A), Roof curving tube at both doors (No.3A), Sidewall tube (No.4) and Standing leg (No.5) with Bolt M12x30mm (No.23), then put the arch into tube of the Base flange by hoist, and assemble every group arch by turns (see Figure 5).

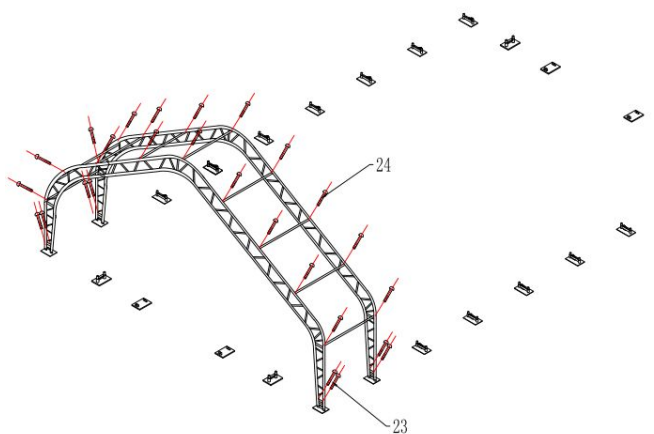


Figure 6

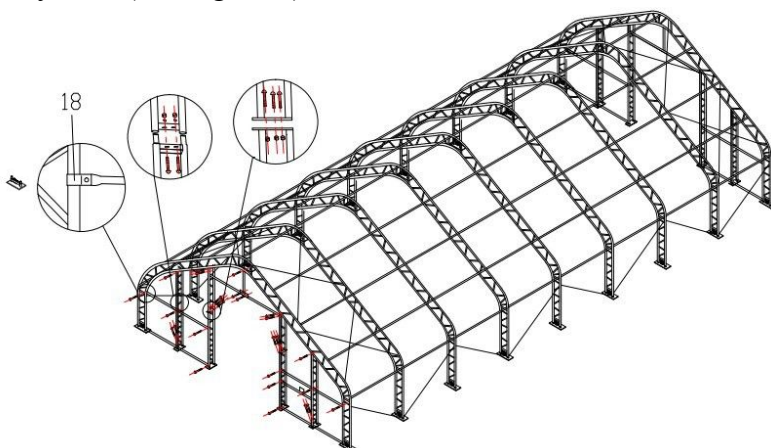


Figure 7

3. Connect Purlin (No.6) to arch by using Bolt M10x80mm (No.24) by turns (see Figure 6), then connect the Steel wire (NO.17 and NO.19) on top and side by using Clip (No.18) (see Figure 7).



## C--- INSTALLING FRONT AND BACK COVER

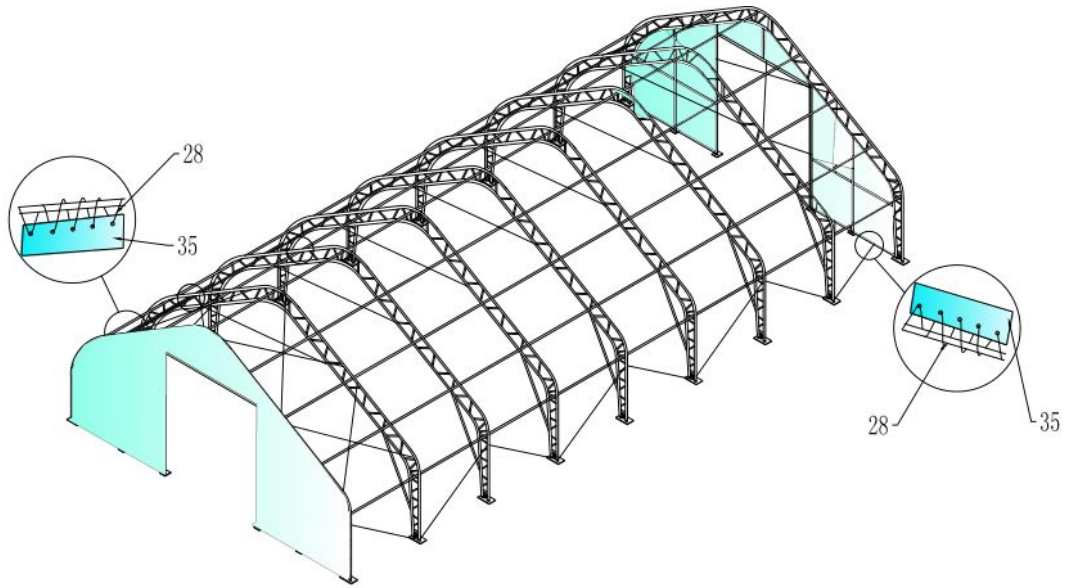


Figure 8 Front and Back Cover

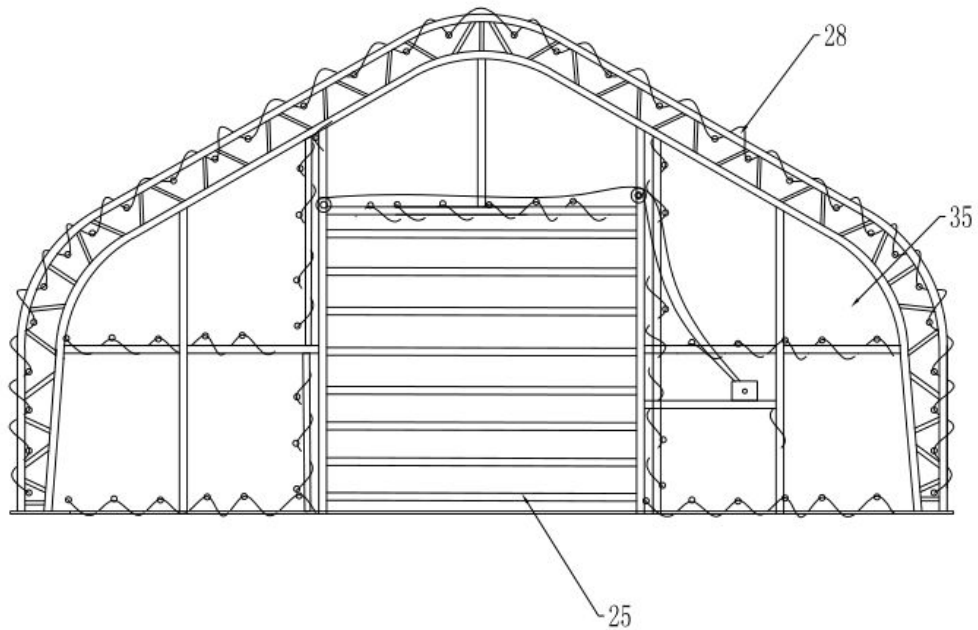


Figure 9 Front door

2.Insert the tubes(Part No.25) into front and back door through the pockets on covers, tidy the front door and back door covers by using Rope(No.28), make the cover well fold to the frame and tension the cover.



## D--- INSTALLING THE ROOF COVER

NOTE: Do not install the cover onto the frame of your building in high wind conditions.

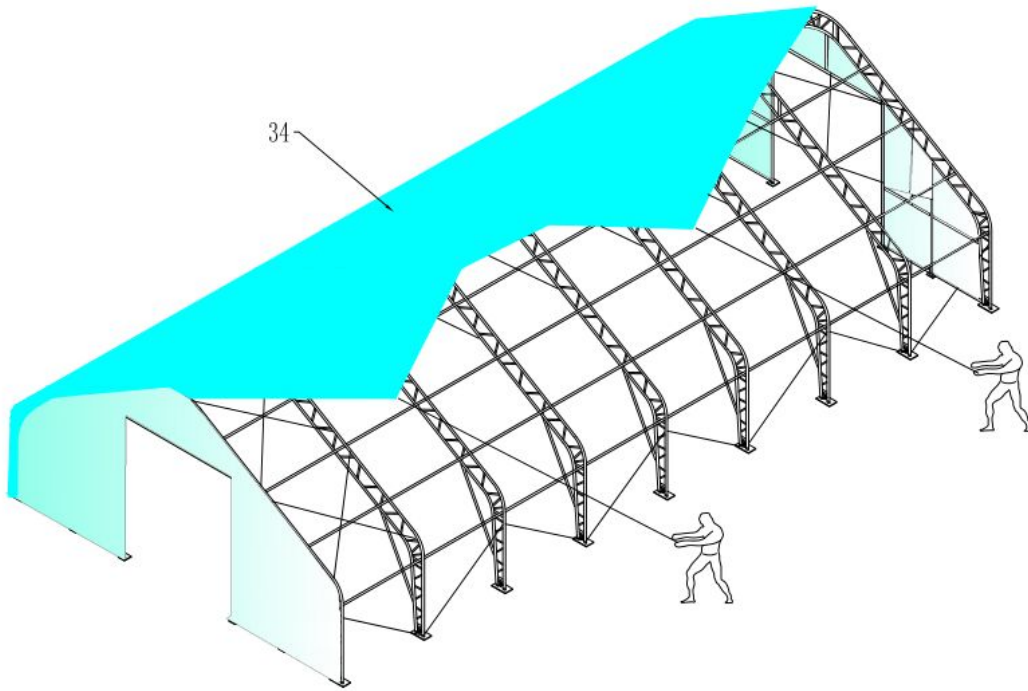


Figure 10

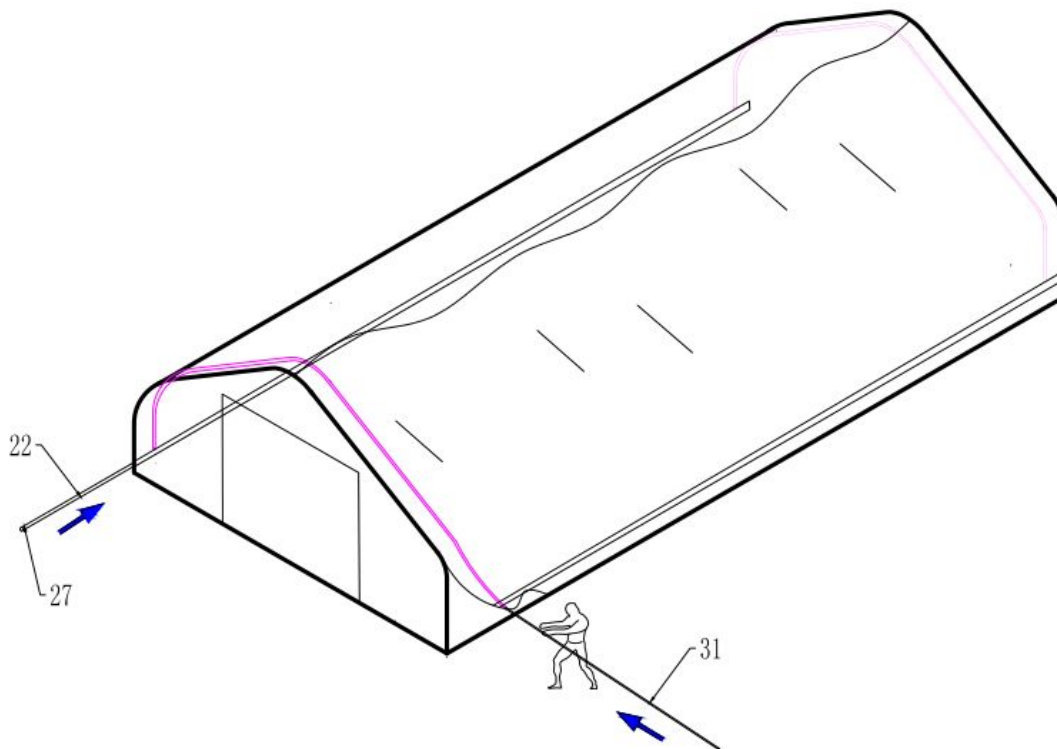


Figure 11

1. As Figure 10 shows, when Roof cover is over top of Frame assembly (see Figure 10)

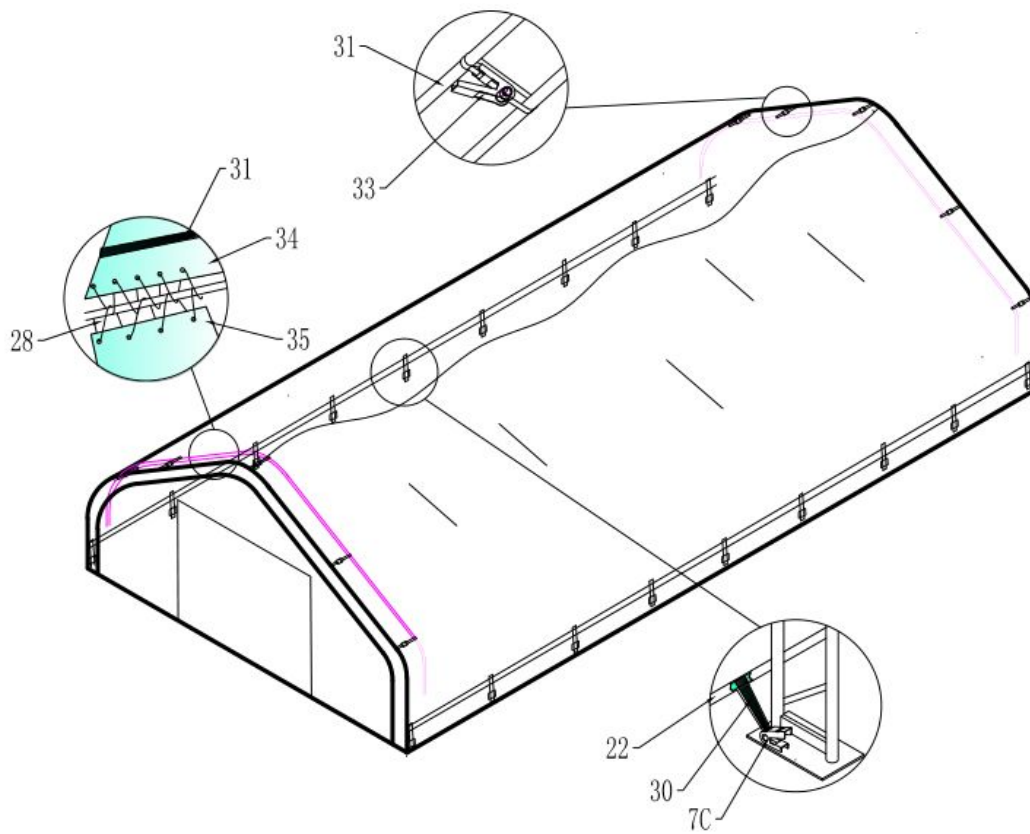


Figure 12

2. As Figure 12 shows, align one side of Roof cover evenly front to back, add band(No.30) for tie down ratchet at each point along the cover opening, Put band for tie down ratchets over cover tension tubes at each base plate along one side. Bands do not attach to tension tubes, but loop around and secure at both ends on ratchet.
  
3. The roof cover is tension ed frond front to back by the rope lacing to grommet flaps inside the main cover, inside the unit at both front and rear arches. using the rope provided, lace the main cover grommet flap around the main frame front and rear arch pieces. start in the top middle of each arch, and lace to each side. add rope length by tying pieces together or cutting as necessary.