

SHELTER

ASSEMBLY MANUAL

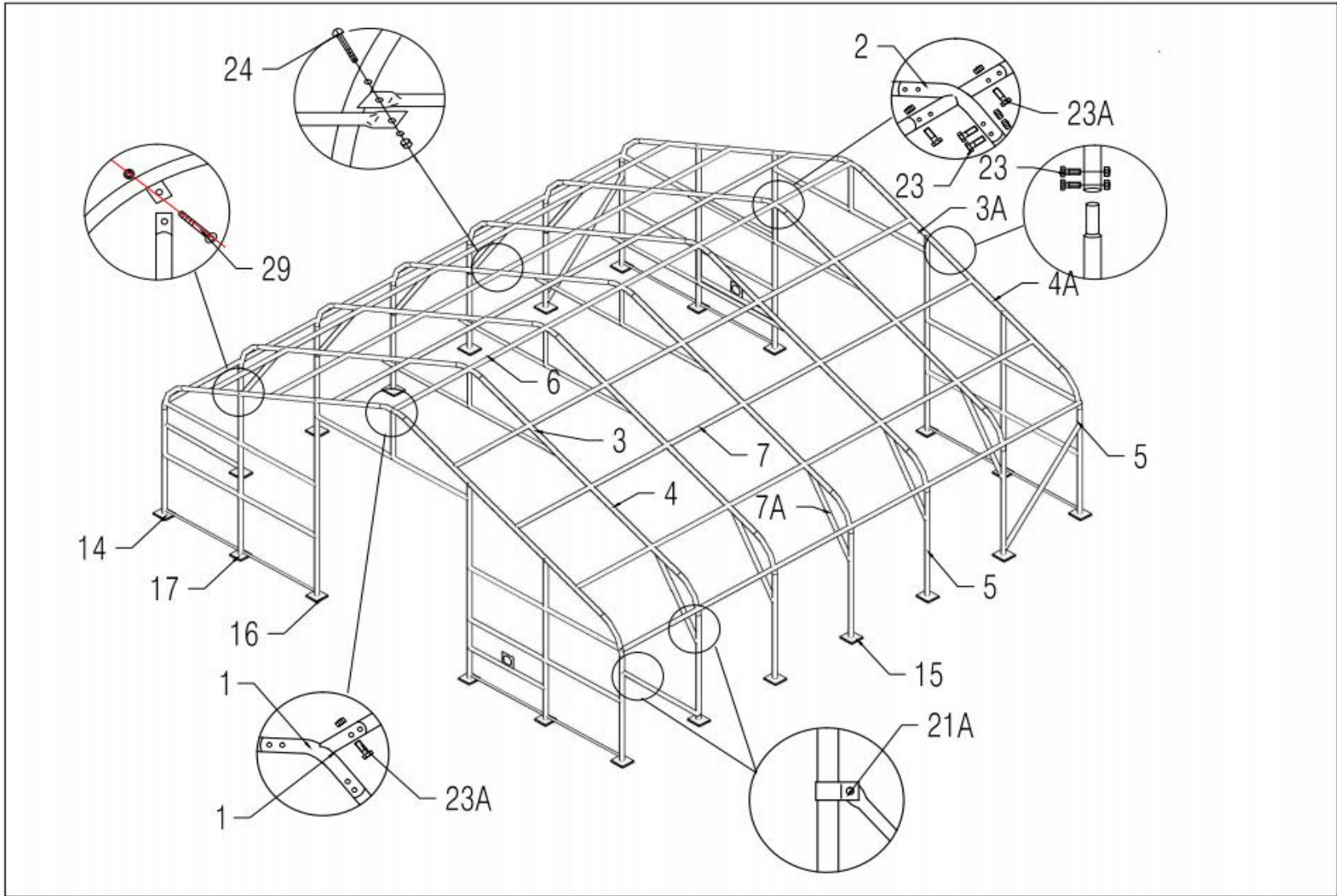
MODEL #404018P
W12 x L12 x H5.5m
Door Size: W4 x H4 m



Part List

Part Code	Description	Qty
1	Three way fitting	2
2	Four way fitting	5
3	Upper sidewall tube	10
3A	Upper sidewall tube for both doors	4
4	Bottom sidewall tube	10
4A	Bottom sidewall tube for both doors	4
5	Standing legs	14
6	Beam on the top	6
7	Purlin	48
7A	Supporting tube for shoulders	10
8L	Bottom both door track on the left	2
8R	Bottom both door track on the right	2
9L	Upper both door track on the left	2
9R	Upper both door track on the right	2
10	Bottom standing legs for both doors	2
10A	Bottom standing legs for assembly the winch	2
11	Upper standing legs for both doors	4
12	Horizontal tube for back and front wall	12
12A	Side horizontal tube for back and front wall	4
12B	Horizontal tube for assembly the winch	2
13	Bottom tube for back and front wall	8
14	Base plate at four corner	4
15	Base plate in middle	10
16	Base plate for both winch doors	4
17	Side base plate for both doors	4
18	Ratchet	14
18A	Ratchet at four corner to connect roof cover	4
19	Door beam (with wheels)	4
20	Crossing tube on the top	5 groups
20A	Vertical suspending tube for both doors	2
20B	Vertical suspending tube	5
21	Brace tube	4
21A	Clip	32

Part Code	Description	Qty
22	Base tensioning tube	2 groups
23	Carriage bolt M10X90	128
23A	Carriage bolt M8X70	24
24	Carriage bolt M12X100	64
25	Door dropping tube should be insert into door cover	14 groups
26	Hand operate winch be used for rolling up the door	2
27	Steel wire rope for winch	2
28	Stake peg	58
29	Bolt M10X30	28
30	Bolt M10X70	8
30A	Bolt M10X90	52
31	Big band for ratchet	14
32	Plastic plug	20
33	Rope	1 bundle
34	Roof cover	1
35	Front and back cover	2
36	Angle iron	4
37	Splint	8



Frame Sketch

SPECIFICATION

Width: 12m Length: 12m Height: 5.5m

Door dimension: W4 m x H 4m

IMPORTANT-----READ MANUAL FIRST

Improper site preparation, Assembly and Maintenance may invalidate warranty and cause unnecessary and costly mistake. If you have any questions contact your local dealer.

For User Friendly assembly we have identified each individual component with the part code as indicated in the parts list. Please refer to the part code numbers and drawing to ensure problem free assembly.

It's necessary to tighten the roof fabric enough to avoid "hammocks" on the roof and also re-tighten once or twice again after a few months of use. This is important when assembly in cold weather (autumn and winter) because the fabric is stiff then and when we got the sun and warm weather afterwards it will make the fabric "slack" again and need to be re-tighten before next winter.

It's the owners responsibility to take of snow immediately if not slide off by itself.

READ ALL INSTRUCTIONS BEFORE ASSEMBLY

1. Keep work area clean. Cluttered areas invite injuries. Do not set up near snow drifts, in slippery places, in high winds, or wet location.
2. Keep children away. All children should be kept away from the work area.
3. Don't over reach. Keep proper footing and balance at all times.
4. Do not assemble in under the influence of alcohol or drugs. Read warning labels on prescriptions to determine if your judgment or reflexes are impaired while taking drugs. If there is any doubt, do not assemble.
5. Be aware of possible windy conditions; fasten the bases in concrete if these conditions are likely to occur. Remove the cover during hurricane.
6. Be careful with power and heat sources. Do not keep heat sources near the tarpaulin. Do not expose to open flame.
7. Be aware of personal safety during assembly and use. Be careful not to pinch fingers with clips and tubes when assembling: when using makes sure there is adequate ventilation for exhaust and other dangerous fumes.

EQUIPMENT AND TOOLS FOR INSTALLATION

- | | |
|----------------------------|------------------|
| 1. Measuring Tape | 5. Sledge Hammer |
| 2. String for alignment | 6. Drill |
| 3. Stake | 7. Wrench |
| 4. Ladder or Scissors Lift | 8. Knife |

INSTALLATION PROCESS

A--BASE INSTALLATION

1. The measurement is from center to center of tubes on the base palates. Referring to the following diagram and confirm the place of base plates. There are holes on the plates for stake pegs.
2. Please refer to the diagram (Figure 1) to place the base plates:

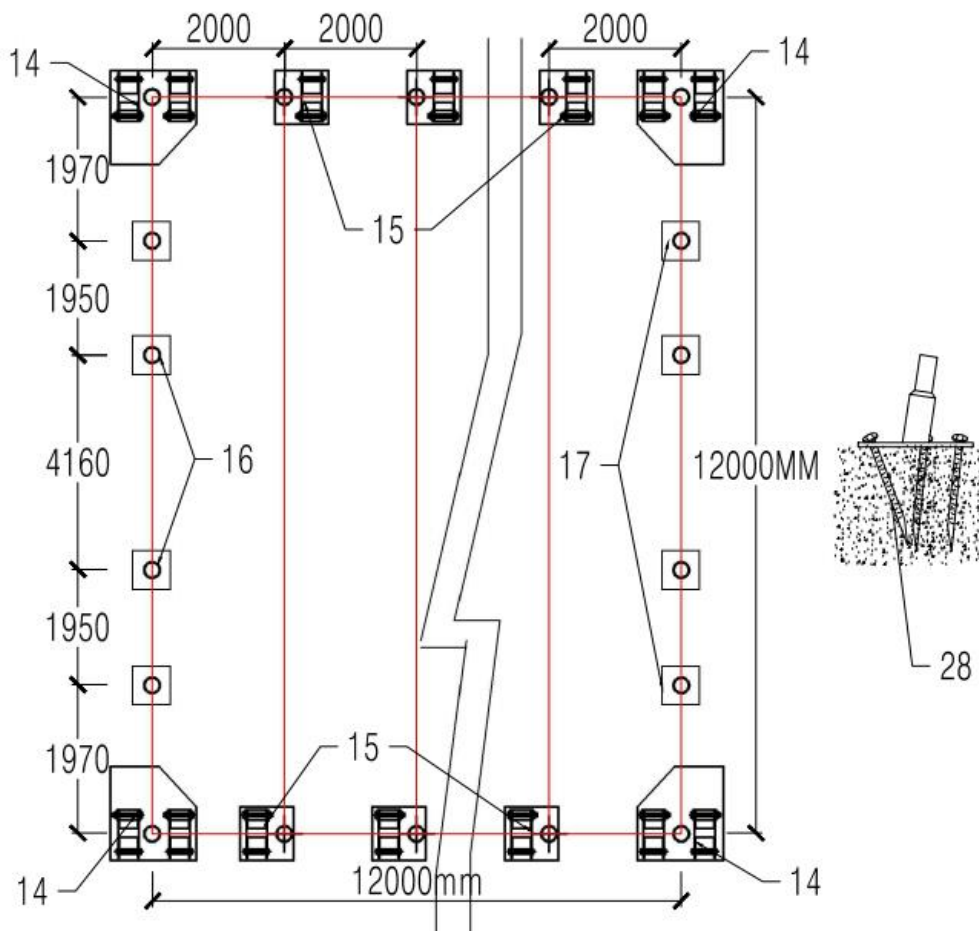


Figure 1

As **Figure 1** shows each base plate is equipped with 3 pieces of Stake pegs.(No.28) .

1. Mark the stake peg hold through the base plate by using the stake peg. Move the base plates away and the mark determines where the stake peg will be.

2. Note: The stake peg apply for normal conditions, not suitable to the rock ground, frozen soil and concrete ground. 3. The Expand screw apply for hard surface of the ground, customer may choose Stake peg or Expand screw according to your needs.

B---FRAME INSTALLATION

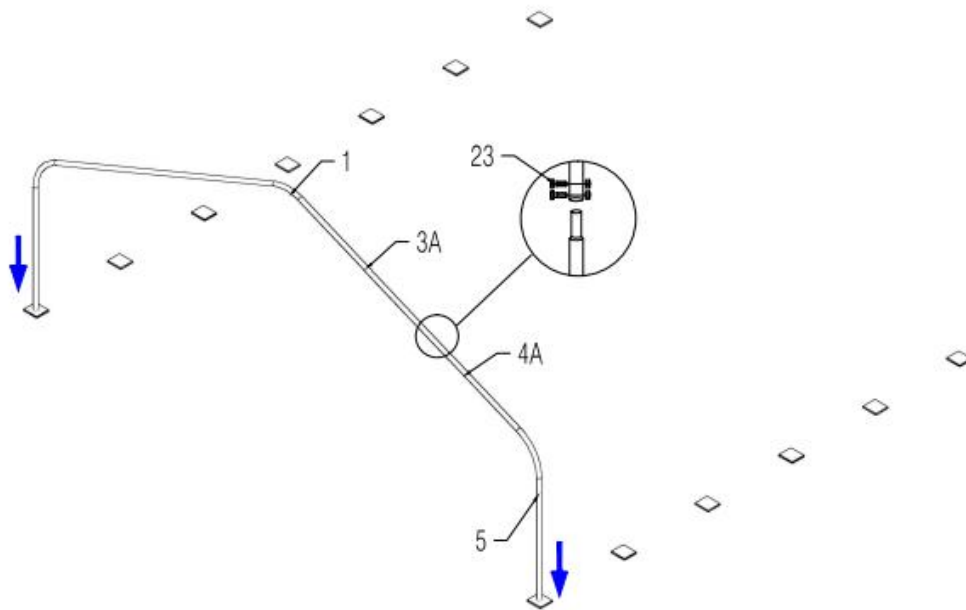


Figure 2

1. As **Figure 2** shows to find two of Upper sidewall tube(No.3A) for doors, two of Bottom sidewall tube (No. 4A), two of Standing leg (No. 5) to be one group which connect with **Three way fitting**(No.1) by using Carriage bolt M10x90 (No.23) Please be aware that the part No 3A and part No 4A is installed for front and back door. **DO NOT install the screw on the top of the truss where the fabric will rest.**
2. Lift an assembled arch onto one base plate and force the other end of the arch onto the opposite base plate.

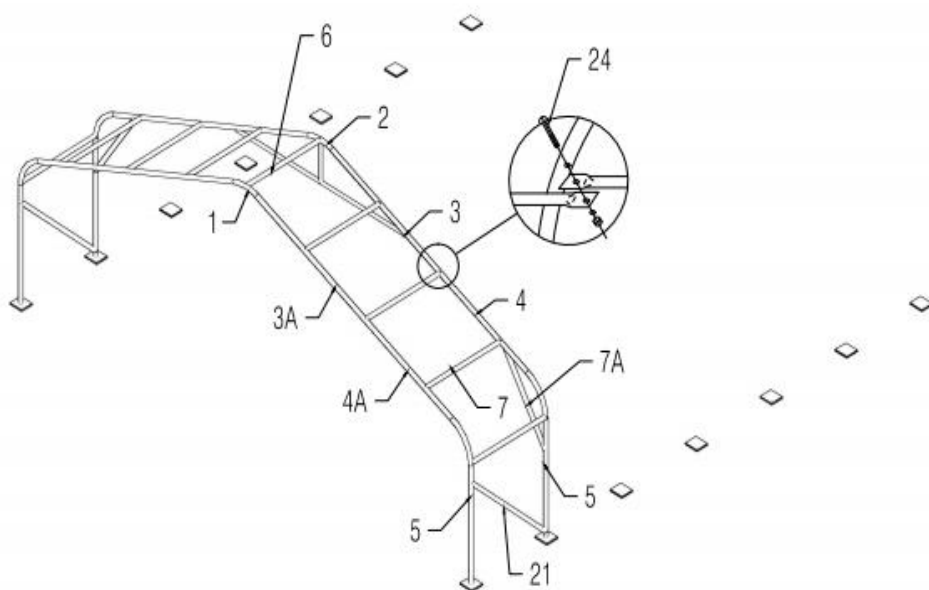


Figure 3

3. **Figure 3** shown when finish installing the first two arches into the base plates, Use top beam (No.6) & Purlin (No.7) to connect them together, the Top Beam (No.6) should insert into the Three way fittings (No.1) & Four way fitting(No.2) by Carriage bolt M8x70 (No.23A). The purlin (No.7) is connecting by the Carriage bolt M12x100 (No.24).
4. After finishing the installation of the first two arches, then assemble the Brace tube. (No. 21)
Connect the Brace tube(No.21) to Standing leg by using Clip.
5. Assemble the supporting tube for shoulders.(No.7A)

Please not the beam on the top(No.6)and purlin at sides(No.7) is different dimension of tubes.

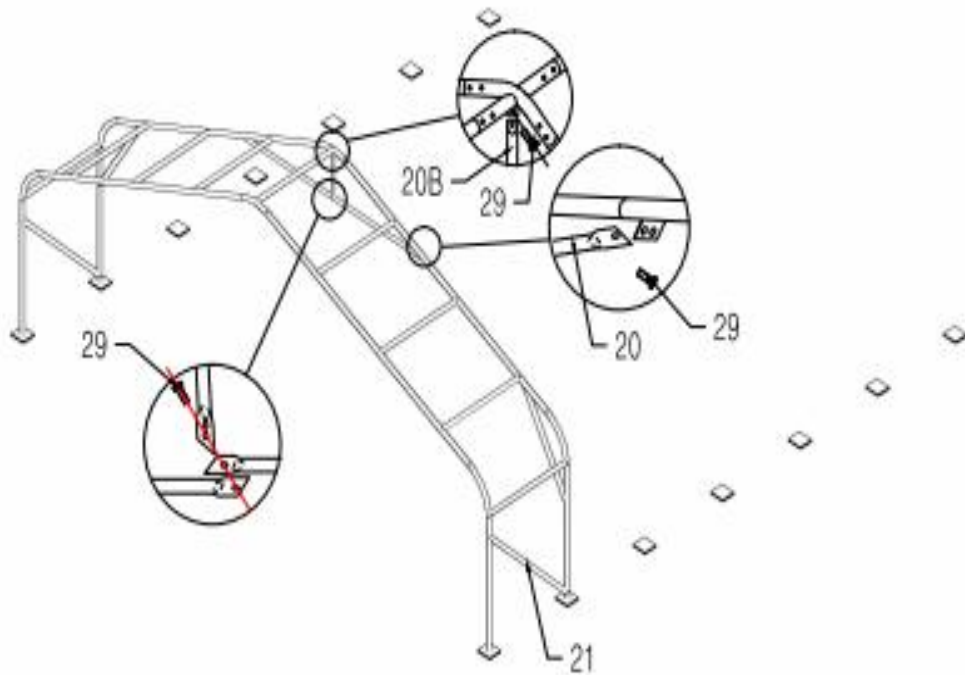


Figure 4

1. **Figure 4** shown , install the Cross tube on top (No.20) on frame by using bolt M10 x30 (No.29) and then install the Suspending tube(No.20B) on frame by using bolt M10 x30 (No.29).
2. After finished the installation of first two groups arches, then install all of other arches group by group.
3. Then come to install the front panel and back panel. Find the relative components and assemble them.

C—DOOR FRAME, FRONT AND BACK COVER INSTALLATION

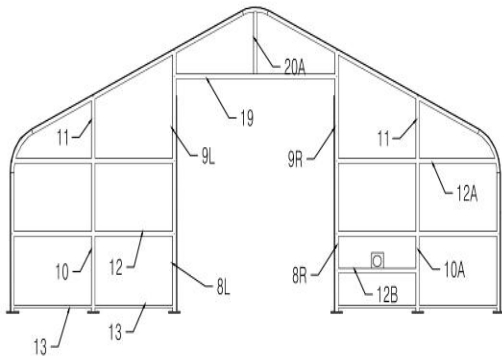


Figure 5

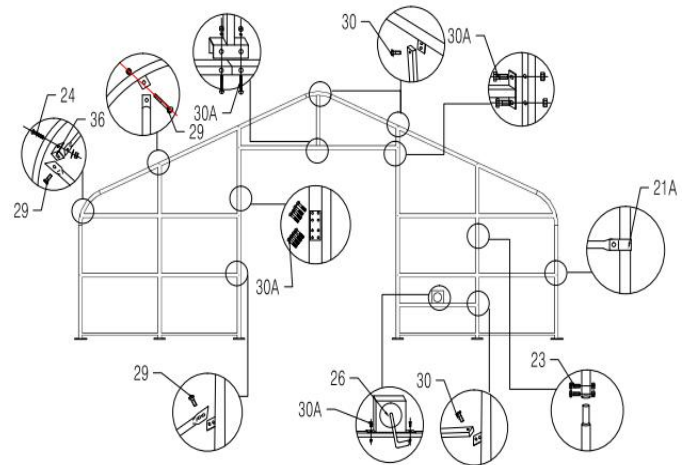


Figure 6

1. Install the front and rear door frame following the **Figure above** and **Sketch Frame Figure**. Door beam on both doors (No.19) & Vertical suspending tube for both doors (No. 20A) and other connect tubes for doors with clips and right Bolts. Finally install the Bottom Tube for Front and back Wall (No.13).
2. Insert the Hanging Heavy Tube for Door (No.25) into the Cover for Front and back Door (No.35).Thread the Steel Wire for Door Frame (No.27) into each group of Hanging Heavy Tube for Door (part No.25), then install one front door cover (part No.35) on the door frame and knit all this cover to the tubes. Finally tie the Steel Wire for Door onto the Mechanical wheel (No.26).
3. Finally put on the Front Wall Cover and knit it like the Figure 7 by using Rope. (It shows the inside of the cover).

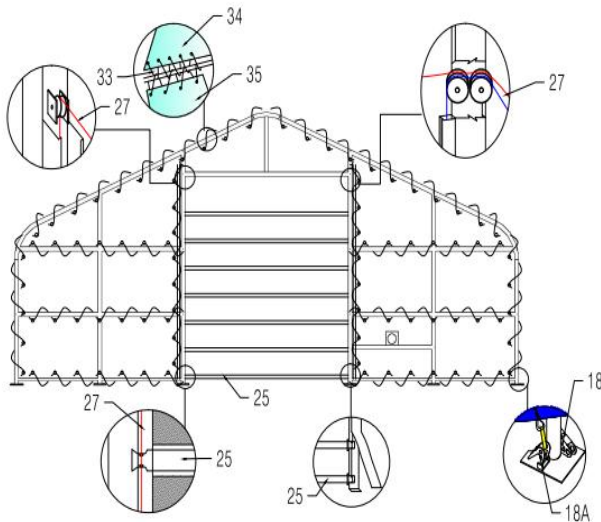


Figure 7

D---ROOF COVER INSTALLATION

NOTE: DO NOT install the cover onto the frame of your building in high wind conditions. A slight breeze is the most advantageous for cover installation. To take advantage of the breeze, pull the cover up over the arches with the breeze blowing in the cover like a sail filled with air.

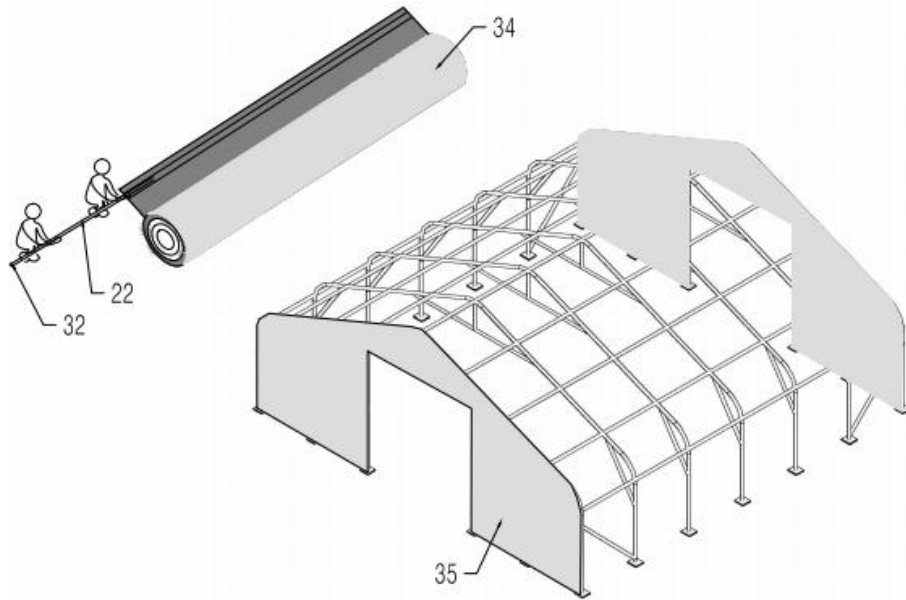


Figure 8

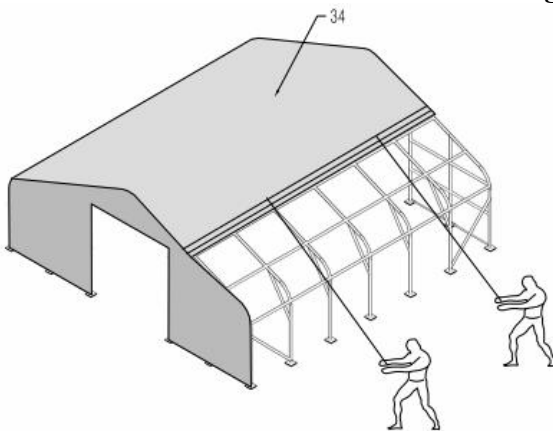


Figure 9

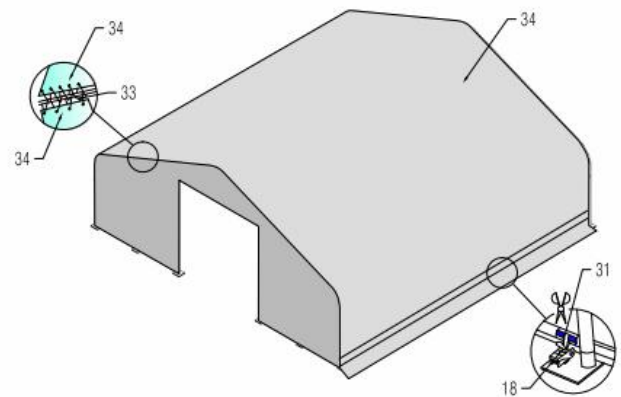


Figure 10

1. As **Figure 8** shown, Put Base tensioning tube(No.22) in on 1 side only. you throw the ropes over the frame and use the (No. 17)pipe in every pouch to fix the rope. Then you drag the roof including all pipes (No.17) on another side over the frame.
2. Pull the Roof Cover (No.34) over the frame **EVENLY, CAREFULLY AND SLOWLY**. Insert the tensioning tubes (No.22) into the cover pipe pockets and cut some pockets respond to each inner base plate. Loosely secure the Band (No.31) in the Ratchet.
3. **DO NOT TIGHTEN**. Adjust the cover so that it is square and evenly centered on the frame. Put the lower tensioning tube inside and install the Plastic plug (No.32) into each end of lower tensioning tubes.

NOW THE INSTALLATION IS FINISHED, PLEASE ASJUST THE BASE PLATES VERY MONTH